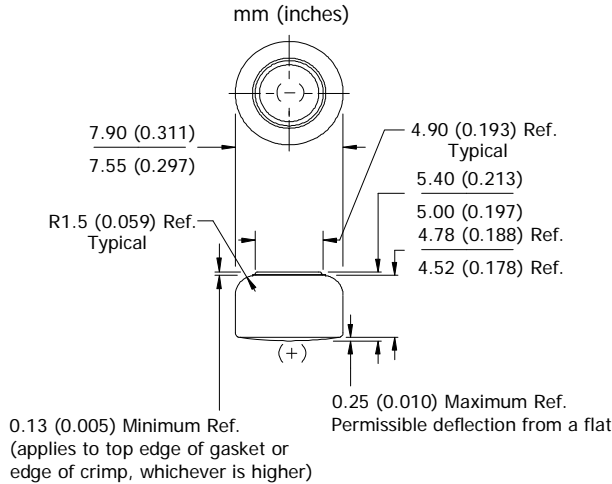


ENERGIZER 309

SILVER OXIDE



Industry Standard Dimensions



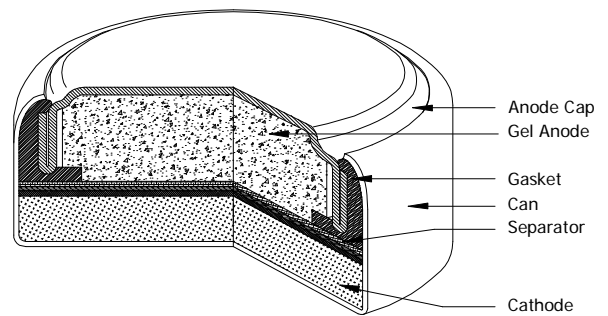
DESIGNED FOR USE ON CONTINUOUS LOW DRAIN

Specifications

Chemical System:	Silver Oxide (Zn/Ag ₂ O)
Designation:	ANSI-1136SO, IEC-SR48
Nominal Voltage:	1.55 Volts
Typical Capacity:	70 mAh* (to 1.2 volts)
Capacity Test:	13K ohm continuous drain at 21°C
Typical Weight:	1.08 grams (0.03 oz.)
Typical Volume:	0.26 cubic centimeters (0.016 cubic inch)
Impedance (40 Hz):	25 to 30 ohms

* Varies according to the applied load, temperature, and cutoff voltage.

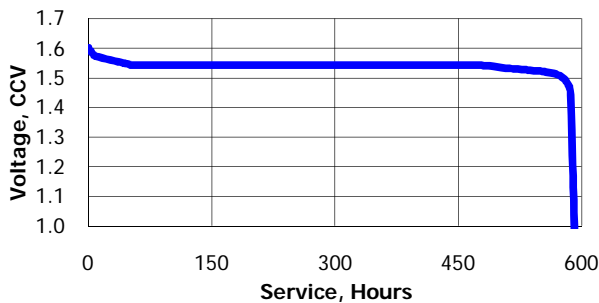
Cross Section



Typical Discharge Characteristics

Typical Performance at 21°C (70°F)

Schedule: Continuous
Typical Drain @1.55V:
0.119 milliamperes
Load: 13K ohm

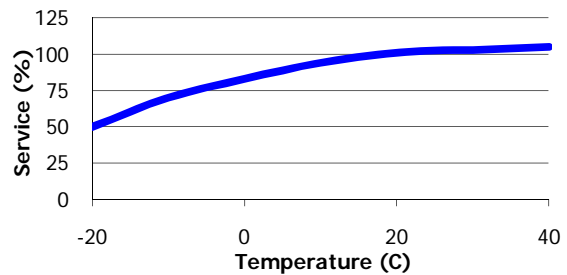


Schedule	Typical Drains at 1.55V (milliamperes)	Load (ohm)	Cutoff (hours)
Continuous	0.119	13K	588

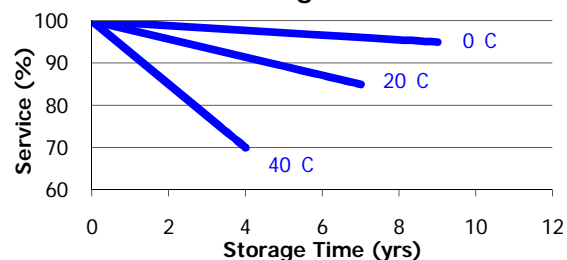
Temperature Characteristics

Typical Performance at Low Discharge Rates

Service Effects



Storage Effects



Important Notice

This datasheet contains typical information specific to products manufactured at the time of its publication.
© Energizer Holdings, Inc. - Contents herein do not constitute a warranty.