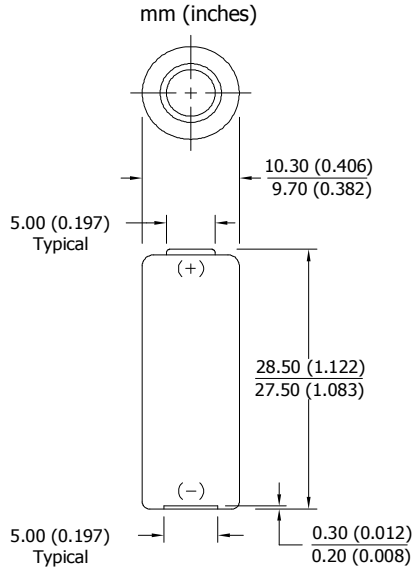


# ENERGIZER A23

**Miniature Alkaline**



## Industry Standard Dimensions



Designed for electronic applications which may require high rate pulses.

## Specifications

- Classification:** "Miniature Alkaline"
- Chemical System:** Manganese Dioxide (MnO<sub>2</sub>)
- Nominal Voltage:** 12.0 volts
- Typical Capacity:** 55 mAh to 6.0 volts (rated at 20k ohms at 21°C)
- Typical Weight:** 8.0 grams
- Typical Volume:** 1.1 cubic centimeters

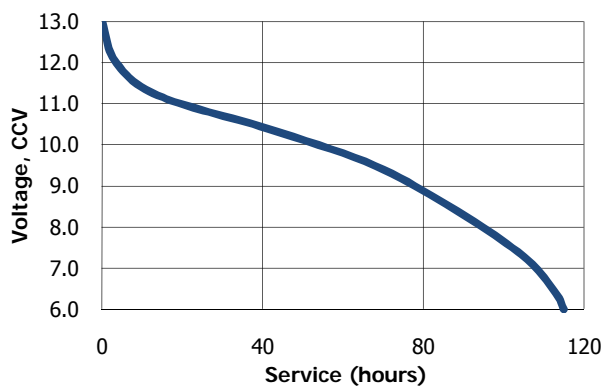
## Typical Discharge Durations

21°C

Schedule (time)	Drain (mA)	Load (ohms)	Cutoff Voltage		
			8.8V (hours)	7.2V (hours)	6.0V (hours)
Continuous	0.48	20K	81	105	115

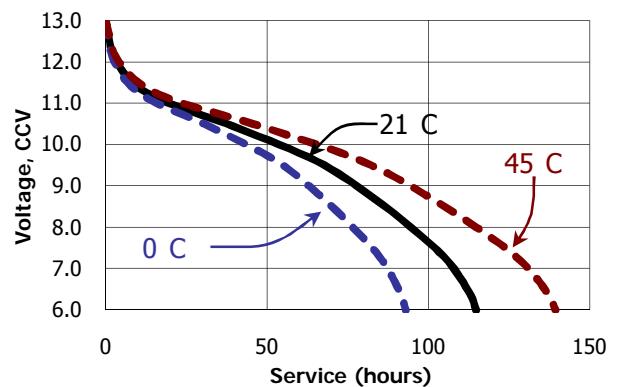
## Discharge Characteristics

Schedule: Continuous  
Typical Load: 20 KΩ (21°C)



## Temperature Characteristics

Schedule: Continuous  
Typical Load: 20 KΩ



### Important Notice

This datasheet contains typical information specific to products manufactured at the time of its publication.  
©Energizer Holdings, Inc. - Contents herein do not constitute a warranty.