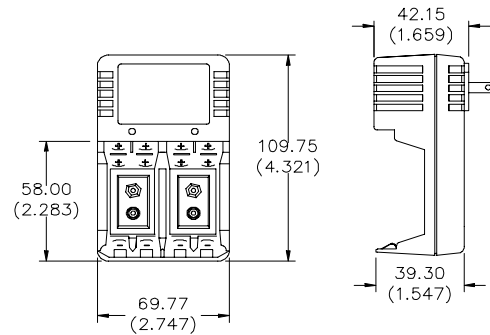


ENERGIZER CHM4AA



Charger



Dimensions in mm (inches)

Features:

1. Designed for safe charging and maximum battery life.
2. Automatic charging current control for different battery sizes.
3. Reverse polarity safety protection.
4. Illuminated LED's indicate charging.
5. Uniquely designed for the following sizes of NiMH and NiCd rechargeable batteries.

AA - NH15/CH15 - 2 or 4 batteries at a time
 AAA - NH12/CH12 - 2 or 4 batteries at a time
 9V - NH22/CH22 - 1 or 2 batteries at a time

Product Detail:

Designation: Compact Charger

Color: Silver

Charging Output: "AA"	150 mA
"AAA"	50 mA
"9V"	25 mA

Charge Capability: Two or four "AA", Two or Four "AAA"
 One or two 9V NiMH or NiCd batteries

Charging Time: 15 hour timer

Typical Weight: 226.0 grams

Dimensions (mm): 109.75 x 69.77 x 42.15

Charging Instructions:

1. Insert the batteries making sure to align the (+) and (-) contacts.
2. Batteries must be charged in pairs according to specific battery sizes.
 (do not mix battery sizes as pairs - 1 AA and 1 AAA)
3. Plug charger in proper AC outlet. The LED for each charging bay in use will glow indicating charging has begun.
4. After approximately 15 hours, the automatic timer will terminate the charging process and the LED's will switch off.
5. The batteries are now ready for use. Do not store batteries in charger when not being charged.
6. Unplug charger after each use to reset built-in automatic timer. Failure to will result in the batteries not receiving a full charge.

Important Safety Instructions:

For indoor use only. Never use an extension cord or attachment not recommended by Energizer. As this may result in fire, electrical shock or injury.

Do not operate charger if it has been subjected to shock or damage, and do not disassemble the charger. Always unplug the charger from outlet before attempting any maintenance or cleaning.

Never alter the plug provided, and do not use as a power source for any electrical equipment. This charger is not intended for use by young children or infirm persons without supervision.

For NiMH and NiCd batteries only. Never charge NiMH and NiCd together or charge any other kind of batteries. Young children should be supervised to ensure they do not play with the charger.

Important Notice

This datasheet contains information specific to battery chargers manufactured at the time of its publication.

©Energizer Holdings, Inc. - Contents herein do not constitute a warranty.