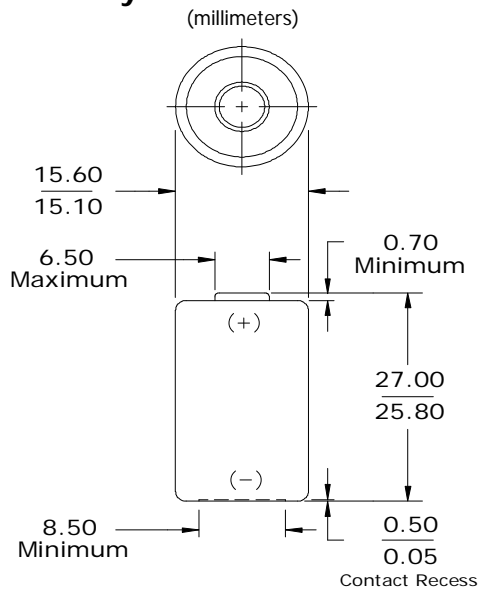


Lithium (CR2)



Industry Standard Dimensions

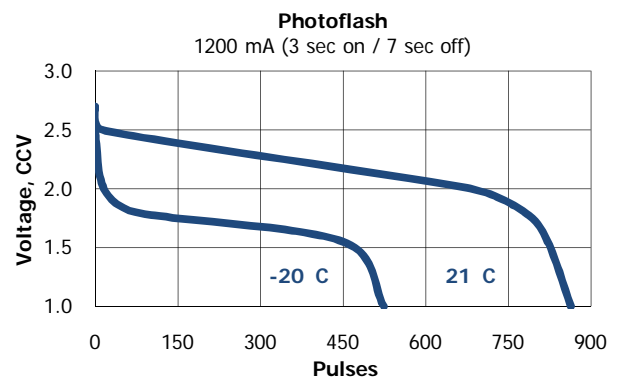
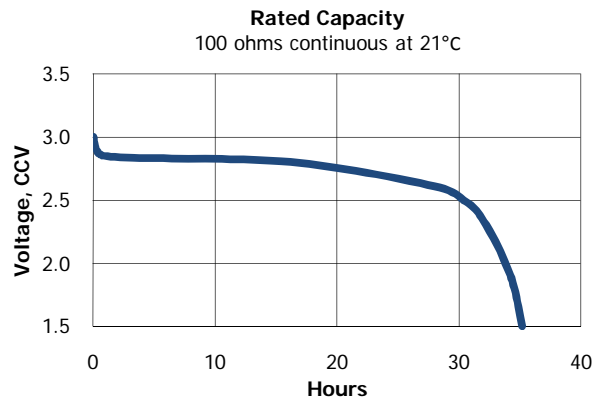


This battery contains a Positive Temperature Coefficient (PTC) safety device to limit current during short circuit conditions.

Specifications

- Classification:** "Lithium"
- Chemical System:** Lithium / Manganese Dioxide (Li/MnO₂)
- Designation:** IEC-CR2
- Nominal Voltage:** 3.0 Volts
- Storage Temp:** -40°C to 60°C
- Operating Temp:** -40°C to 60°C
- Typical Capacity:** 800 mAh (to 2.0 volts)
(rated at 100 ohms at 21°C)
- Typical Weight:** 11 grams
- Typical Volume:** 5.2 cubic centimeters
- Max Discharge:** 1000 mA continuous (2500 mA pulse)
- Max Rev Charge:** 2 uA
- Typical Li Content:** 0.28 grams
- Shipping:** For complete details, please reference:
Global (except US): Special Provision A45 of the International Air Transport Association Dangerous Goods Regulations
United States: 49 CFR 173.185

Typical Discharge Characteristics



Simulated Application Tests

Typical Use Performance

Type (time)	Drain (mA)	Load (ohms)	Cutoff Voltage		
			2.0V (21°C) (hours)	1.8V (21°C) (pulses)	1.55V (21°C) (pulses)
Capacity (continuous)	---	100	34	---	---
Photoflash (3 / 27 sec)	900	---	---	---	1140
Photoflash (3 / 7 sec)	1200	---	---	760	---
Photoflash (3 / 7 sec)	1800	---	---	400	---

Important Notice

This data sheet contains typical information specific to products manufactured at the time of its publication.
©Energizer Holdings, Inc. - Contents herein do not constitute a warranty.