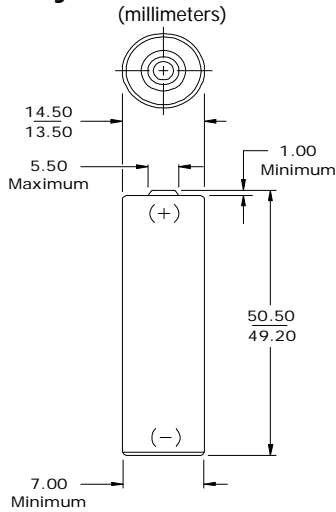


ENERGIZER NH15-2500

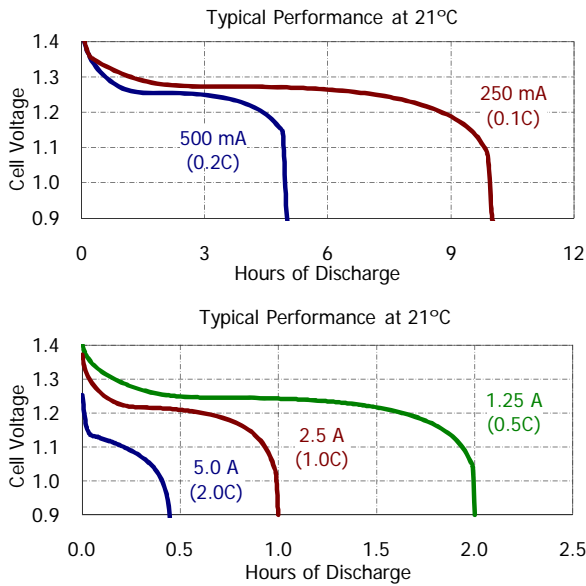
AA



Industry Standard Dimensions



Typical Discharge Characteristics



Specifications

Classification: Rechargeable
Chemical System: Nickel-Metal Hydride (NiMH)
Designation: IEC-HR6
Nominal Voltage: 1.2 Volts
Rated Capacity: 2500 mAh (to 1.0 volts)
 Based on 500 mA (0.2C) discharge rate
Typical Weight: 28.1 grams
Typical Volume: 8.3 cubic centimeters
Jacket: Plastic Label

Internal Resistance:

The internal resistance of the cell varies with state of charge, as follows:

| Cell Charged | Cell 1/2 Discharged |
|---|---------------------|
| 30 milliohms | 40 milliohms |
| (tolerance of ±20% applies to above values) | |

AC Impedance (No Load):

The impedance of the charged cell varies with frequency, as follows:

| Frequency (Hz) | Impedance (milliohms) (Charged Cell) |
|----------------|---|
| 1000 | 12 |

Above values based on AC current set at 1.0 ampere. Value tolerances are ±20%.

Operating and Storage Temperatures:

To maintain maximum performance, observe the following general guidelines regarding environmental conditions.

- Charge: 0°C to 40°C
- Discharge: 0°C to 50°C
- Storage: -20°C to 30°C
- Humidity: 65±20%

Operating at extreme temperatures, will significantly impact battery cycle life.

Important Notice

This datasheet contains typical information specific to products manufactured at the time of its publication.
 ©Energizer Holdings, Inc. - Contents herein do not constitute a warranty.