

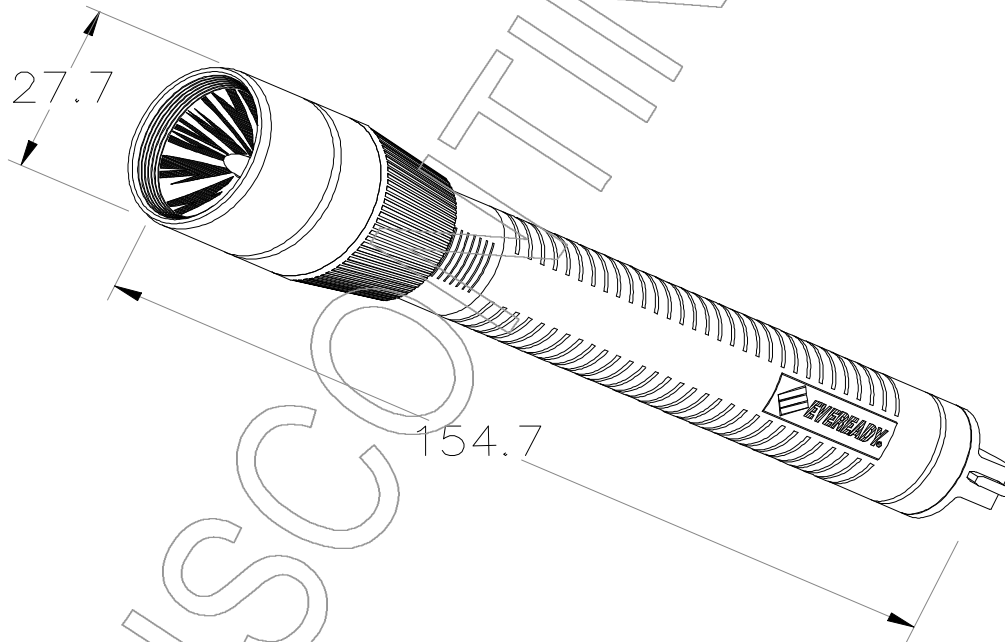
Engineering Data

ENERGIZER NO. X215

Dimensions (mm)

Millimeters	Inches
27.70	1.091
154.70	6.091

Designation: Home
Power Source: Two AA size Batteries (ANSI/NEDA 15 series)
Lamp: T-1-2
Rated @ 2.6V, 0.3A
Rated Lamp Life: 5 hours
Rated Lamp Output: 7.0 lumens
Weight: (w/out batteries) 43.1 grams (1.5 oz.)

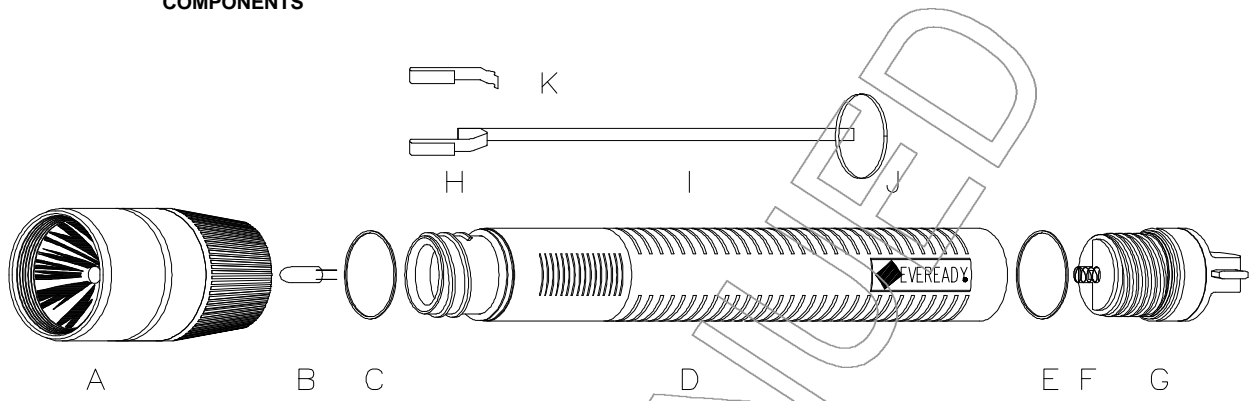


FEATURES

- Calibrated zoom focus with memory lock.
- Xenon polycarbonate housing.
- Extremely high impact strength.
- Weatherproof and corrosion-proof.
- Shatterproof lens, excellent chemical resistance.
- Non-conductive for safety.
- Independent switch will not affect focusing.

EVEREADY NO. X215

COMPONENTS



Ref #	Part Name	Material
A	Lens Ring / Lens / Reflector	Xenoy / Polycarbonate / Polystyrene
B	Lamp	T-1-2
C	Inner Seal (O-ring)	Oil Resistant Rubber
D	Case	Xenoy
E	Rear Seal (O-ring)	Oil Resistant Rubber
F	Spring	Nickel Plated Steel
G	Bottom / Switch	Xenoy
H	Top Contact Strip	Phosphorous Bronze
I	Back Contact Strip	Plated Brass
J	Contact Ring	Plated Brass
K	Positive Top Contact Strip	Plated Brass

SIMULATED APPLICATION TESTS

Estimated Average Service at 21°C (70°F)

Schedule	Battery Type	CUTOFF VOLTAGE
		0.9V
300mA 24 hours / day	E91	HOURS (ON light time)
		5.5

IMPORTANT NOTICE

This data sheet contains information specific to batteries manufactured at time of its publication. Please contact your Energizer representative for most current information. Contents herein do not constitute a warranty.