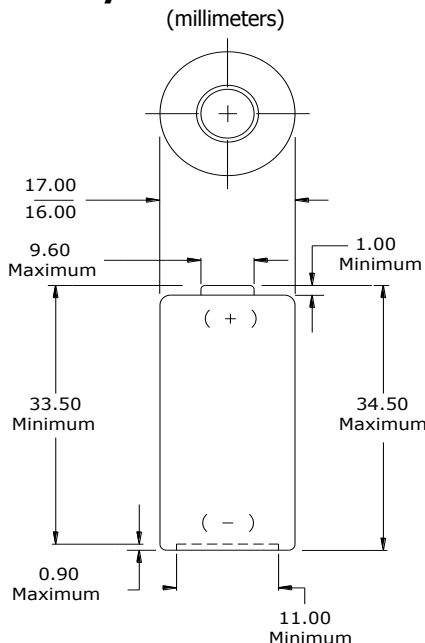


# ENERGIZER 123

**Photo**



## Industry Standard Dimensions



**This battery contains a Positive Temperature Coefficient (PTC) safety device to limit current during short circuit conditions.**

## Simulated Application Tests

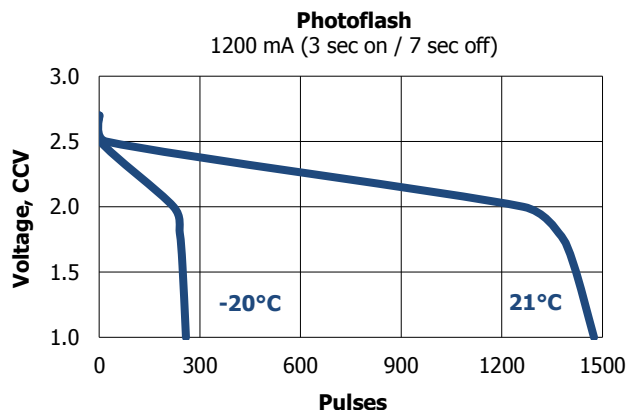
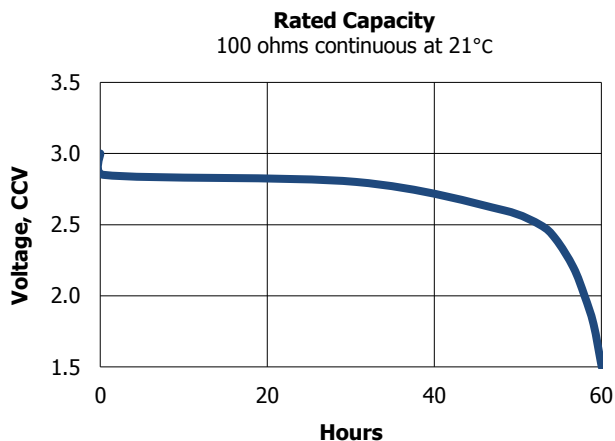
Typical Use Performance

Type (time)	Drain (mA)	Load (ohms)	Cutoff Voltage		
			2.0V (21°C) (hours)	1.8V (21°C) (pulses)	1.55V (21°C) (pulses)
Capacity (continuous)	---	100	58	---	---
Photoflash (3 / 27 sec)	900	---	---	---	2000
Photoflash (3 / 7 sec)	1200	---	---	1370	---
Photoflash (3 / 7 sec)	1800	---	---	860	---

## Specifications

- Classification:** "Lithium"
- Chemical System:** Lithium / Manganese Dioxide (Li/MnO<sub>2</sub>)
- Designation:** IEC-CR17345
- Nominal Voltage:** 3.0 Volts
- Storage Temp:** -40°C to 60°C
- Operating Temp:** -40°C to 60°C
- Typical Capacity:** 1500 mAh (to 2.0 volts) (rated at 100 ohms at 21°C)
- Typical Weight:** 17 grams
- Typical Volume:** 7.0 cubic centimeters
- Max Discharge:** 1500 mA continuous (3500 mA pulse)
- Max Rev Charge:** 2  $\mu$ A
- Typical Li Content:** 0.55 grams

## Typical Discharge Characteristics



### Important Notice

This data sheet contains typical information specific to products manufactured at the time of its publication.  
©Energizer Holdings, Inc. - Contents herein do not constitute a warranty.