



Eveready Battery Company, Inc.
 Checkerboard Square
 St. Louis, MO 63164
 Telephone: 1-800-383-7323
 Internet: www.energizer.com

Engineering Data

EVEREADY NO. 1461

Zinc Chloride **6V**
 No Added Mercury or Cadmium

Chemical System: Zinc-Manganese Dioxide (Zn/MnO₂)

Designation: ANSI / NEDA-907, IEC-4R25-4

Battery Voltage: 6 Volts

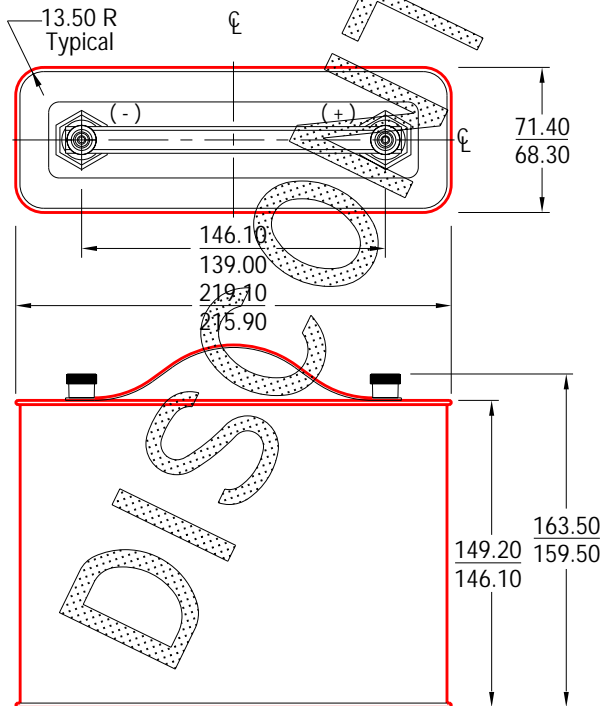
Average Weight: 2.68 kilograms (94.5 oz.)

Volume: 2334 cubic centimeters (142.4 cubic inch)

Cells: Sixteen No. 60 (size "F")-Four parallel strings of four in series.

Jacket: Metal

Dimensions (mm)



Millimeters	Inches
13.50	.531
68.30	2.689
71.40	2.811
139.00	5.472
146.10	5.752
149.20	5.874
159.50	6.280
163.50	6.437
215.90	8.500
219.10	8.626