



Eveready Battery Company, Inc.  
 Checkerboard Square  
 St. Louis, MO 63164  
 Telephone: 1-800-383-7323  
 Internet: www.energizer.com

## Engineering Data

**EVEREADY NO. 1463**

**Zinc Chloride 12V**  
 No Added Mercury or Cadmium

**Chemical System:** Zinc-Manganese Dioxide (Zn/MnO<sub>2</sub>)

**Designation:** ANSI / NEDA-922, IEC-8R25-2

**Battery Voltage:** 12 Volts

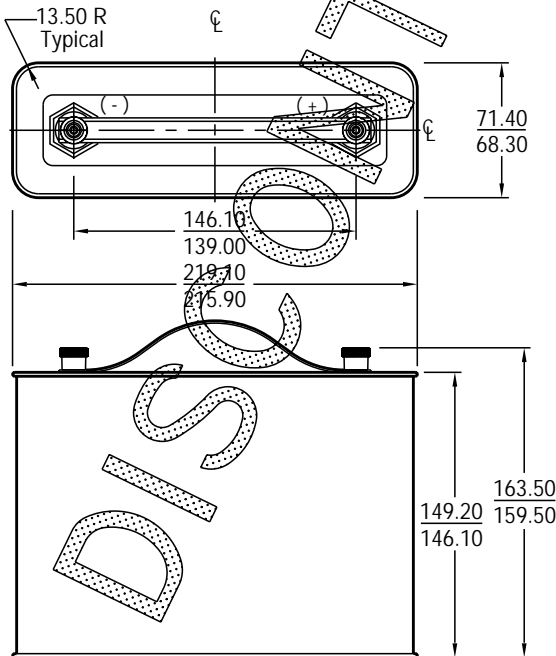
**Average Weight:** 2.66 kilograms (93.8 oz.)

**Volume:** 2334 cubic centimeters (142.4 cubic inch)

**Cells:** Sixteen No. 60 (size "F")-Two parallel strings of eight in series.

**Jacket:** Metal

Dimensions (mm)



Millimeters	Inches
13.50	.531
68.30	2.689
71.40	2.811
139.00	5.472
146.10	5.752
149.20	5.874
159.50	6.280
163.50	6.437
215.90	8.500
219.10	8.626