



Eveready Battery Company, Inc.
 Checkerboard Square
 St. Louis, MO 63164
 Telephone: 1-800-383-7323
 Internet: www.energizer.com

Engineering Data

EVEREADY NO. 1862

Zinc Chloride 12V
 No Added Mercury or Cadmium

Chemical System: Zinc-Manganese Dioxide (Zn/MnO₂)

Designation: ANSI / NEDA-935, IEC-8R25-5

Battery Voltage: 12 Volts

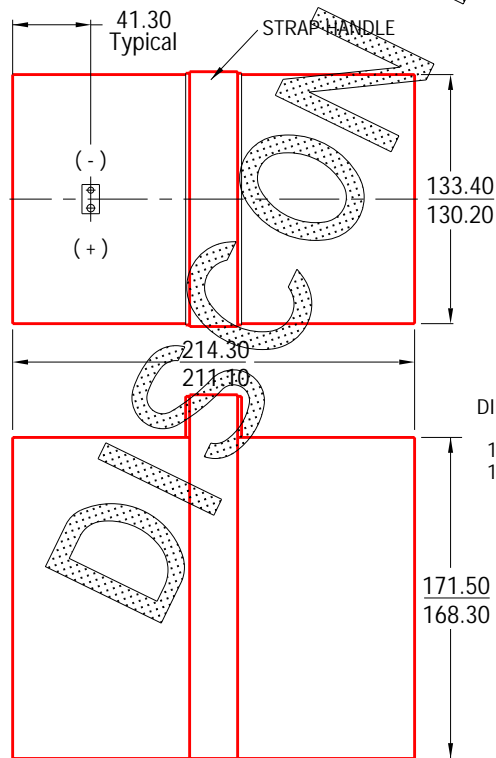
Average Weight: 6.3 kilograms (222.2 oz.)

Volume: 4903 cubic centimeters (299.1 cubic inch)

Cells: Forty No. 60 (size "F")-Five parallel strings of eight in series.

Jacket: Metal

Dimensions (mm)



	Millimeters	Inches	
3.20	13.50	.531	.126
4.00	68.30	2.689	.157
9.40	71.40	2.811	.370
9.60	139.00	5.472	.378
41.30	146.10	5.752	1.626
130.20	149.20	5.874	5.126
133.40	159.50	6.280	5.252
168.30	163.50	6.437	6.626
171.50	215.90	8.500	6.752
211.10	219.10	8.626	8.311
214.30			8.437

