

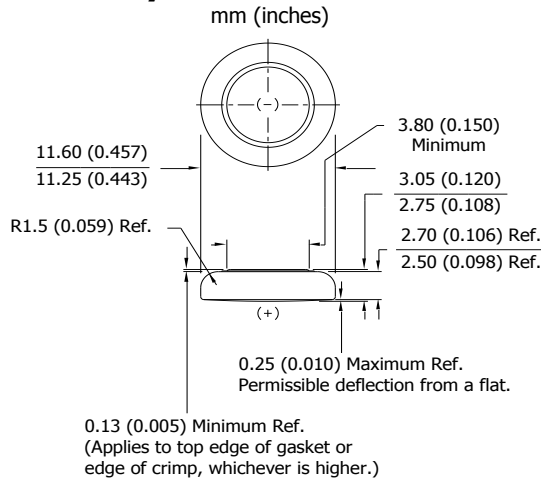
**ENERGIZER 189**

**ZERO MERCURY**

**Miniature Alkaline**



**Industry Standard Dimensions**



**Specifications**

**Chemical System:** Manganese Dioxide (MnO<sub>2</sub>)

**Designation:** IEC-LR54

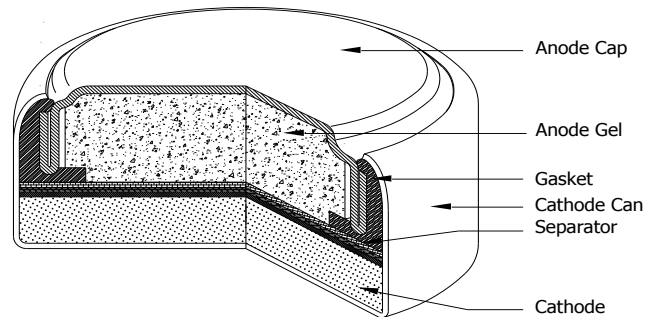
**Nominal Voltage:** 1.5 Volts

**Typical Capacity:** 66 mAh (to 0.9 volts)  
Rated at 15K ohms / 21°C (70°F)

**Typical Weight:** 1.1 grams (0.04 ounces)

**Typical Volume:** 0.30 cubic centimeters (0.02 cubic inch)

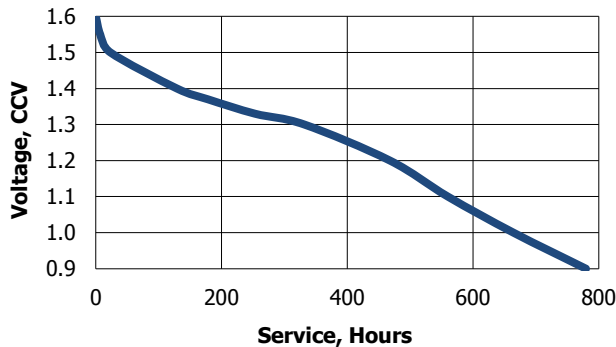
**Cross Section**



**Typical Discharge Characteristics**

21°C (70°F)

Load: 15K ohms - Continuous  
Typical Drain @ 1.27V: 0.085 mA



**Depth of Discharge Test**

Percent of rated Capacity at 21°C (70°F)

Typical closed circuit voltage during discharge on a load of 100 ohms for 0.1 to 2.0 seconds

% Rated Capacity	0%	40%	80%
	1.47V	1.17V	1.04V

**Bulge Data**

This battery will bulge as it is discharged but will not exceed the maximum height shown on the battery drawing.

Schedule:	Typical Drains: at 1.27V (milliamperes)	Load (ohms)	Cutoff 0.9V (hours)
Continuous	0.085	15K	780

**Important Notice**

This data sheet contains typical information specific to products manufactured at the time of its publication.  
©Energizer Holdings, Inc. - Contents herein do not constitute a warranty.