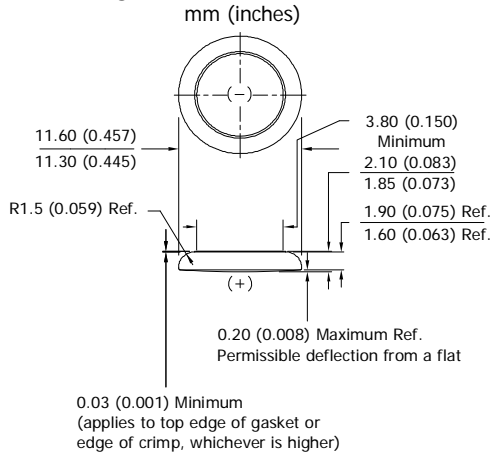


ENERGIZER 191

Miniature Alkaline



Industry Standard Dimensions

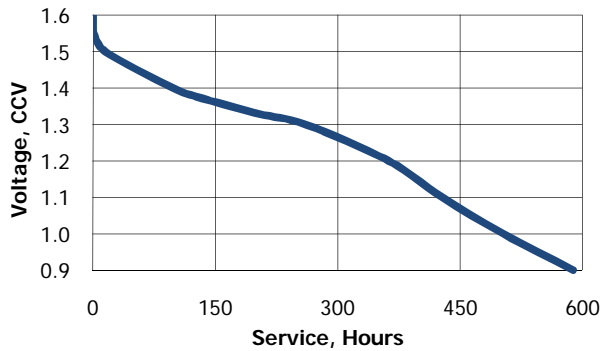


Designed for electronic applications which may require high rate pulses

Typical Discharge Characteristics

21°C (70°F)

Load: 15K ohms - Continuous
Typical Drain @ 1.25V: 0.057 mA

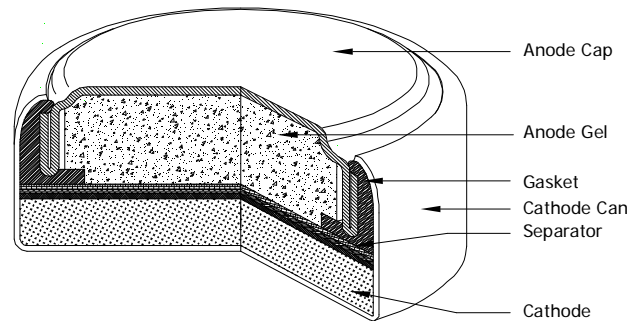


Schedule:	Typical Drains: at 1.25V (milliamperes)	Load (ohms)	Cutoff 0.9V (hours)
Continuous	0.083	15,000	588

Specifications

Chemical System:	Manganese Dioxide (MnO ₂)
Designation:	IEC-LR55
Nominal Voltage:	1.5 Volts
Typical Capacity:	49 mAh (to 0.9 volts) Rated at 15K ohms / 21°C (70°F)
Typical Weight:	0.8 grams (0.03 ounces)
Typical Volume:	0.20 cubic centimeters (0.01 cubic inch)

Cross Section



Depth of Discharge Test

Percent of rated Capacity at 21°C (70°F)

Typical closed circuit voltage during discharge on a load of 100 ohms for 0.1 to 2.0 seconds

% Rated Capacity	0%	40%	80%
	1.44V	1.17V	1.05V

Bulge Data

This battery will bulge as it is discharged but will not exceed the maximum height shown on the battery drawing.

Important Notice

This data sheet contains typical information specific to products manufactured at the time of its publication.
©Energizer Holdings, Inc. - Contents herein do not constitute a warranty.