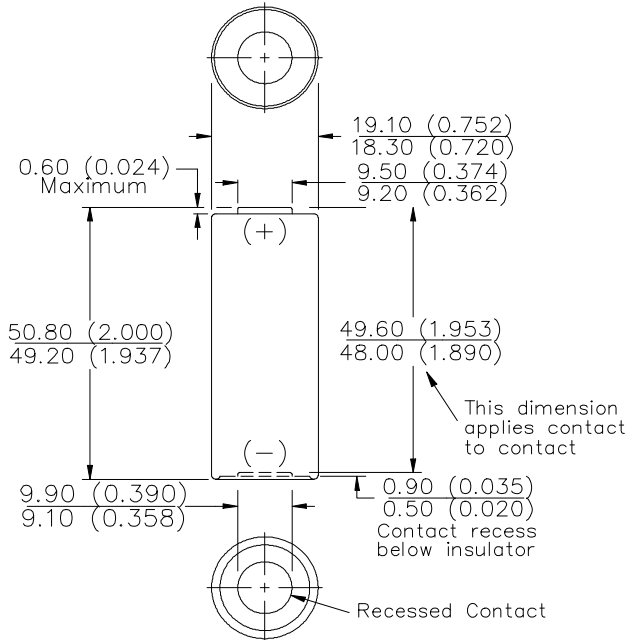


# Eveready 206



## Industry Standard Dimensions

mm (inches)



**Chemical System:** Zinc-Manganese Dioxide (Zn/MnO<sub>2</sub>)

**Designation:** ANSI / NEDA-1611

**Battery Voltage:** 9.0 Volts

**Average Weight:** 32 grams (1.1 oz.)

**Volume:** 14 cubic centimeters (0.9 cubic inch)

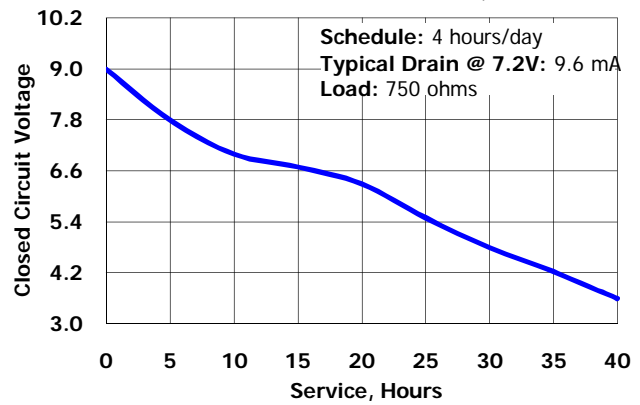
**Average Capacity:** 200 mAh to 0.8 volts/cell  
(Rated at 25 mA continuous drain at 21°C)

**Cells:** Six No. 110 in series

**Jacket:** Metal

### TYPICAL DISCHARGE CURVE

Simulated Test @ 21°C (70°F)



### Simulated Application Test Estimated Average Service at 21°C (70°F)

Schedule:	Typical Drains at 7.2V (milliamperes)	Load (ohms)	Cutoff Voltage					
			4.2V	4.8V	5.4V	6.0V	6.6V	7.2V
4 hours/day	9.6	750	35.8	31.0	26.0	21.8	17.4	11.4
4 hours/day	12.9	560	23.9	16.9	14.9	11.7	9.4	5.5

### Important Notice

This data sheet contains information specific to batteries manufactured at the time of its publication.

**Contents herein do not constitute a warranty.**

Copyright © Eveready Battery Co. Inc. - All Rights Reserved