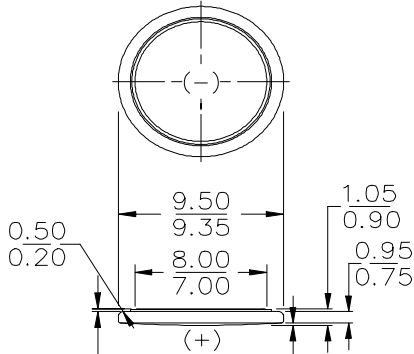


## Engineering Data

### ENERGIZER NO. 311

Dimensions (mm)



0.01 Minimum (Applies to Top Edge of Gasket or Edge of Crimp, Whichever is Higher.)  
 0.15 Maximum Permissible Deflection from a Flat.

Millimeters	Inches
0.01	0.000
0.15	0.006
0.20	0.008
0.50	0.020
0.75	0.030
0.90	0.035
0.95	0.037
1.05	0.041
7.00	0.276
8.00	0.315
9.35	0.368
9.50	0.374

**Chemical System:** Silver Oxide (Zn/Ag<sub>2</sub>O)

**Designation:** ANSI / NEDA-Not Yet Available

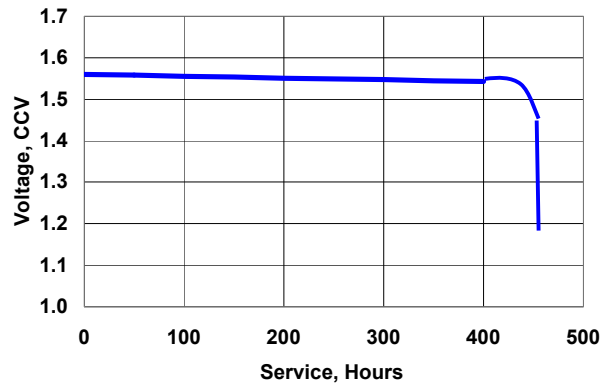
**Battery Voltage:** 1.55 Volts

**Average Weight:** 0.32 grams (0.011 oz.)

**Volume:** 0.074 cubic centimeters (0.005 cubic inch)

**Average Service capacity (to 1.3 Volt):** 10.5 mAh  
 (Rated Capacity at 68k ohms continuous at 21°C)

**Typical Discharge Characteristics**  
 Simulated Test at 21°C (70°F)



**DESIGNED FOR USE ON CONTINUOUS LOW DRAIN**

**Simulated Application Tests**  
 Estimated Average Service at 21°C (70°F)

Schedule	Typical Drains @ 1.55V (milliamperes)	Load (ohms)	Cutoff Voltage
			1.3V hours
24 hours / day	0.023	68,000	457

### Important Notice

This data sheet contains information specific to batteries manufactured at time of its publication. Please contact your Energizer representative for most current information. Contents herein do not constitute a warranty.