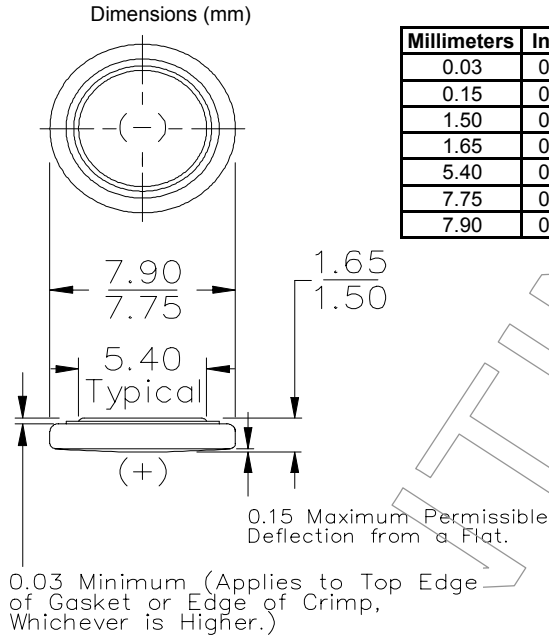


Engineering Data

ENERGIZER NO. 314



Millimeters	Inches
0.03	0.001
0.15	0.006
1.50	0.059
1.65	0.065
5.40	0.213
7.75	0.305
7.90	0.311

Chemical System: Silver Oxide (Zn/Ag₂O)

Designation: IEC - SR716W

Battery Voltage: 1.55 Volts

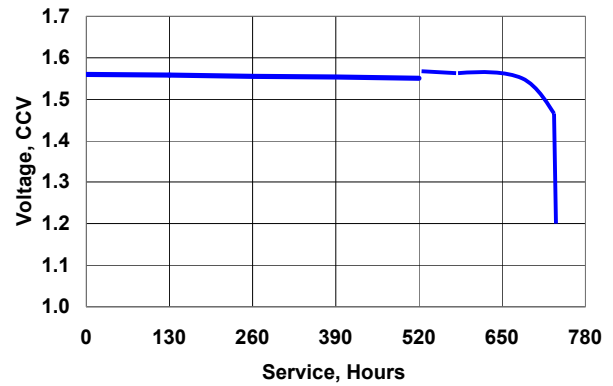
Average Weight: 0.35 grams (0.012 oz.)

Volume: 0.081 cubic centimeters (0.005 cubic inch)

Average Service capacity (to 1.3 Volt): 17 mAh
 (Rated Capacity at 68k ohms continuous at 21°C)

**DESIGNED FOR USE ON CONTINUOUS LOW DRAIN
 HIGH PULSE DRAIN ON DEMAND**

Typical Discharge Characteristics
 Simulated Test at 21°C (70°F)



Simulated Application Tests
 Estimated Average Service at 21°C (70°F)

Schedule	Typical Drains @ 1.55V (milliamperes)	Load (ohms)	Cutoff Voltage
			1.3V hours
24 hours / day	0.023	68,000	739

Important Notice

This data sheet contains information specific to batteries manufactured at time of its publication. Please contact your Energizer representative for most current information. Contents herein do not constitute a warranty.