

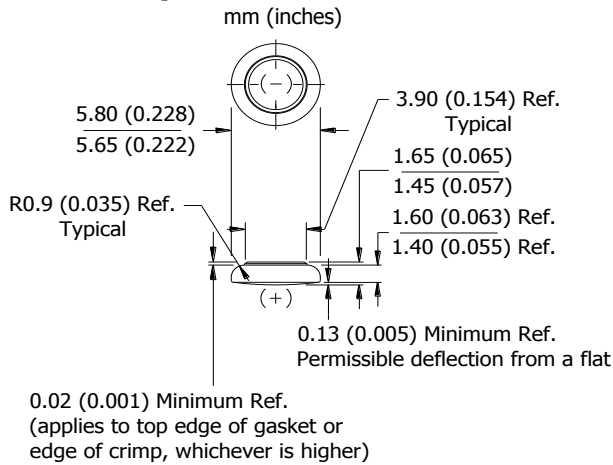
ENERGIZER 317

ZEROMERCURY®

SILVER OXIDE



Industry Standard Dimensions

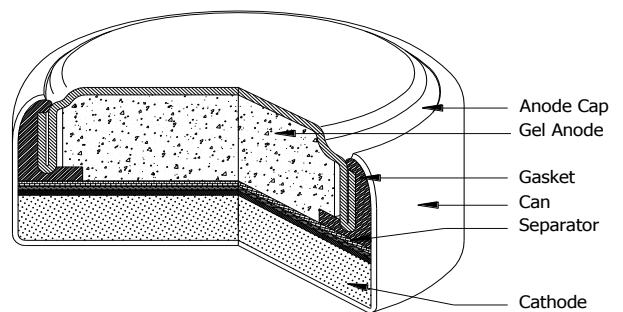


Specifications

- Chemical System:** Silver Oxide (Zn/Ag₂O)
- Nominal Voltage:** 1.55 Volts
- Typical Capacity:** 11.5 mAh* (to 1.2 volts)
- Capacity Test:** 82K ohm continuous drain at 21°C
- Typical Weight:** 0.17 grams (0.006 oz.)
- Typical Volume:** 0.04 cubic centimeters (0.002 cubic inch)
- Impedance (40 Hz):** 55 to 65 ohms

* Varies according to the applied load, temperature, and cutoff voltage.

Cross Section

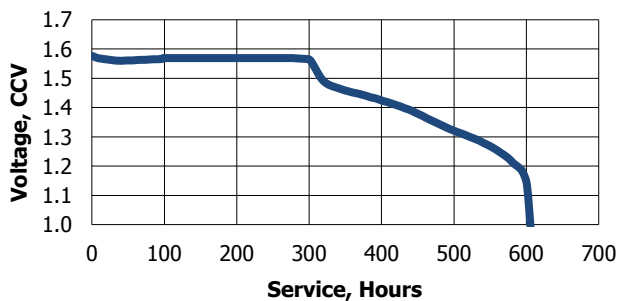


DESIGNED FOR USE ON CONTINUOUS LOW DRAIN

Typical Discharge Characteristics

Typical Performance at 21°C (70°F)

Schedule: Continuous
Typical Drain @1.55V:
 0.019 milliamperes
Load: 82K ohm

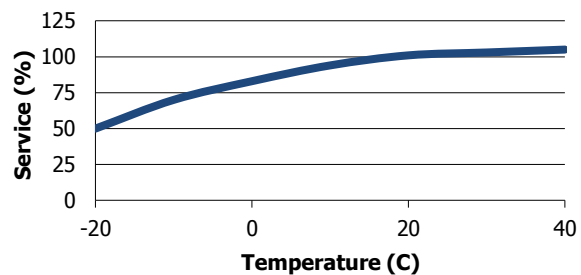


<u>Schedule</u>	<u>Typical Drains</u> at 1.55V (milliamperes)	<u>Load</u> (ohm)	<u>Cutoff</u> 1.2V (hours)
Continuous	0.019	82K	590

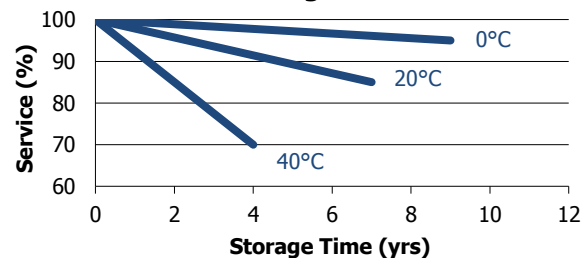
Temperature Characteristics

Typical Performance at Low Discharge Rates

Service Effects



Storage Effects



Important Notice

This datasheet contains typical information specific to products manufactured at the time of its publication.
Contents herein do not constitute a warranty and are for reference only.