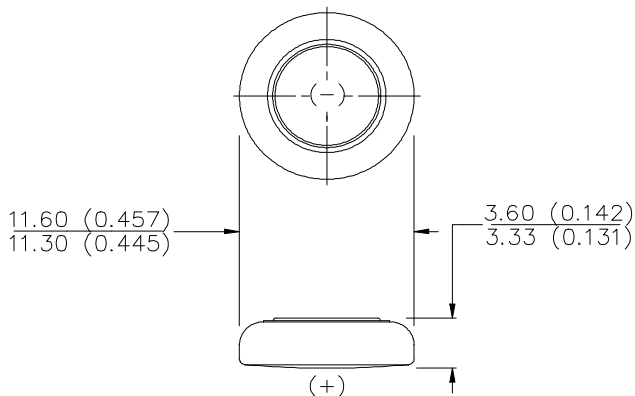


ENERGIZER NO. 350



Industry Standard Dimensions in mm (inches)

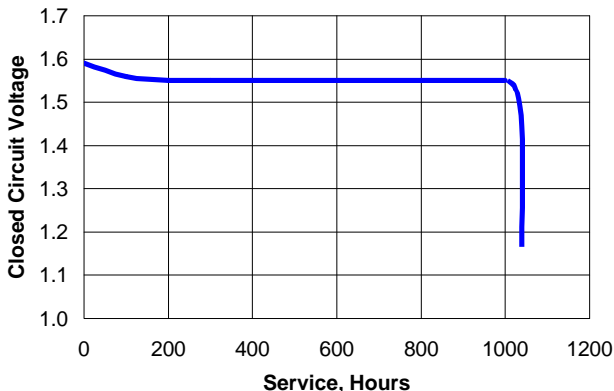


Chemical System: Silver Oxide (Zn/Ag₂O)

Designation: IEC-SR42
Battery Voltage: 1.55 Volts
Average Weight: 1.6 grams (0.06 oz.)
Volume: 0.37 cubic centimeters (0.023 cubic inch)
Average Capacity: 105 mAh to 1.3 volts
 (Rated at 15k ohms continuous at 21°C)

TYPICAL DISCHARGE CURVE

Simulated Test @ 21°C (70°F)



DESIGNED FOR USE ON CONTINUOUS LOW DRAIN

Simulated Application Test Estimated Average Service at 21°C (70°F)

Schedule:	Typical Drains at 1.55V (milliamperes)	Load (ohms)	Cutoff Voltage
			1.3V
24 hours/day	0.103	15,000	1,016 Hours

INTERNAL RESISTANCE: Closed circuit voltage no less than 1.20 volts on a load of 100 ohms at 21°C (70°F) for 0.1 to 2.0 seconds.

Typical closed circuit voltage during discharge on a load of 100 ohms for 5.0 seconds.

Depth of Discharge as Percent of Rated Capacity

Temperature	0%	40%	80%
21°C (70°F)	1.40V	1.25V	1.31V
-10°C (14°F)	1.081V	0.65V	0.75V

Important Notice

This data sheet contains information specific to batteries manufactured at the time of its publication.

Contents herein do not constitute a warranty.

Copyright © Eveready Battery Co. Inc. - All Rights Reserved