

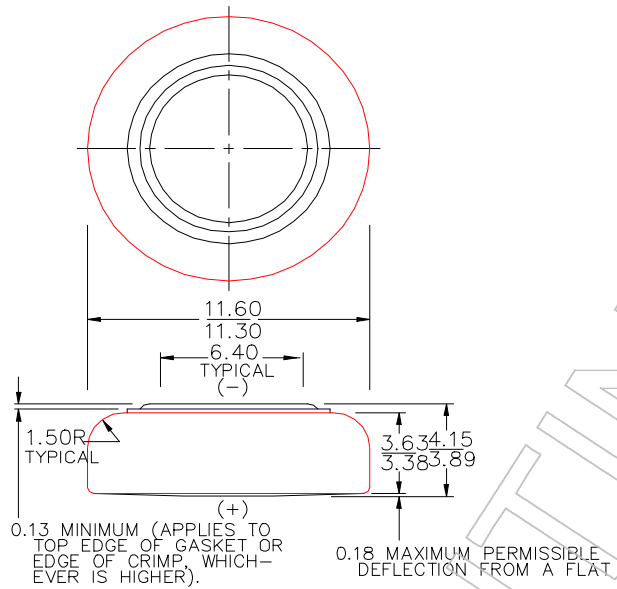


Eveready Battery Company, Inc.

Checkerboard Square  
St. Louis, MO 63164  
Telephone 1-800-383-7323  
Internet: www.energizer.com

## Engineering Data

### ENERGIZER NO. 354



**Chemical System:** Mercuric Oxide (Zn/HgO)  
**Designation:** ANSI/NEDA-1153M, IEC-MR43  
**Average Service Capacity** (to 1.2 volts): 160 mAh  
 (Rated Capacity at 6,500 ohms @ 21°C)  
**Typical Weight:** 2.0 grams (0.07 oz.)  
**Volume:** 0.3 cubic centimeters (0.02 cubic in.)  
**Terminals:** Flat Contact

#### Dimensions (mm)

Millimeters	Inches
0.13	0.005
0.18	0.007
1.50	0.059
3.38	0.133
3.63	0.143
3.89	0.153
4.15	0.163
6.40	0.252
11.30	0.445
11.60	0.457

### IMPORTANT NOTICE

This data sheet contains information specific to batteries manufactured at time of its publication. Please contact your Energizer representative for most current information. Contents herein do not constitute a warranty.