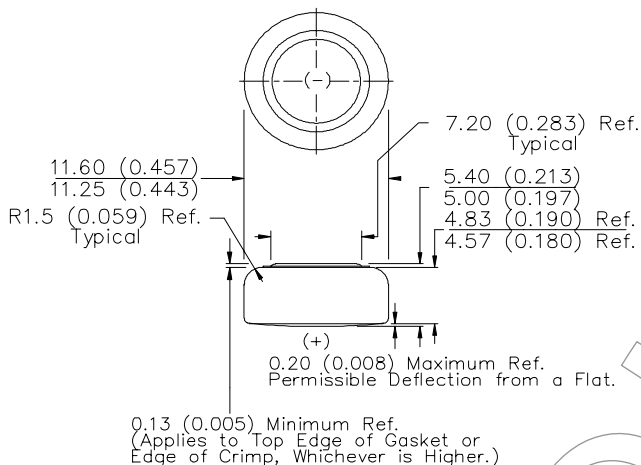


## ENERGIZER NO. 357



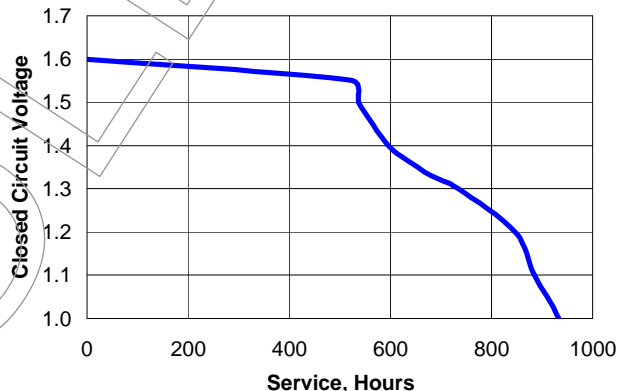
Industry Standard Dimensions in mm (inches)



**Chemical System:** Silver Oxide (Zn/Ag<sub>2</sub>O)

**Designation:** ANSI / NEDA-1131SO, IEC-SR44  
**Battery Voltage:** 1.55 Volts  
**Average Weight:** 2.3 grams (0.08 oz.)  
**Volume:** 0.57 cubic centimeters (0.035 cubic inch)  
**Average Capacity:** 175 mAh to 1.3 volts  
 (Rated at 6.5k ohms continuous at 21°C)

**TYPICAL DISCHARGE CURVE**  
 Simulated Test @ 21°C (70°F)



DESIGNED FOR USE ON CONTINUOUS LOW DRAIN  
 HIGH PULSE ON DEMAND

**Simulated Application Test**  
 Estimated Average Service at 21°C (70°F)

Schedule:	Typical Drains at 1.55V (milliamperes)	Load (ohms)	Cutoff Voltage
			1.3V
24 hours/day	0.238	6,500	734 Hours

**INTERNAL RESISTANCE:** Closed circuit voltage no less than 1.30 volts on a load of 100 ohms at 21°C (70°F) for 0.1 to 2.0 seconds.

Typical closed circuit voltage during discharge on a load of 100 ohms for 5.0 seconds.

**Depth of Discharge as Percent of Rated Capacity**

Temperature	0%	40%	80%
21°C (70°F)	1.55V	1.40V	1.34V
-10°C (14°F)	1.35V	1.06V	0.90V

### Important Notice

This data sheet contains information specific to batteries manufactured at the time of its publication.

**Contents herein do not constitute a warranty.**

Copyright © Eveready Battery Co. Inc. - All Rights Reserved