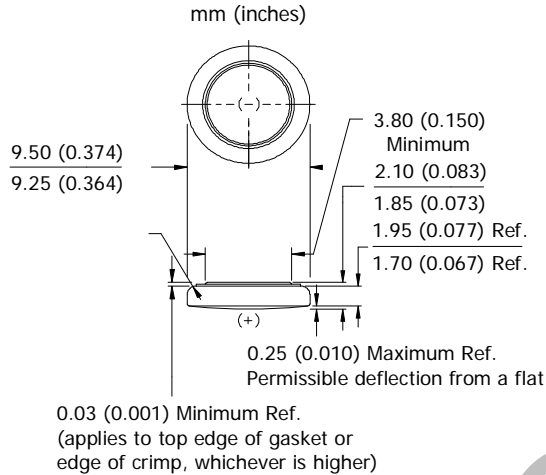


ENERGIZER 371/370

SILVER OXIDE



Industry Standard Dimensions



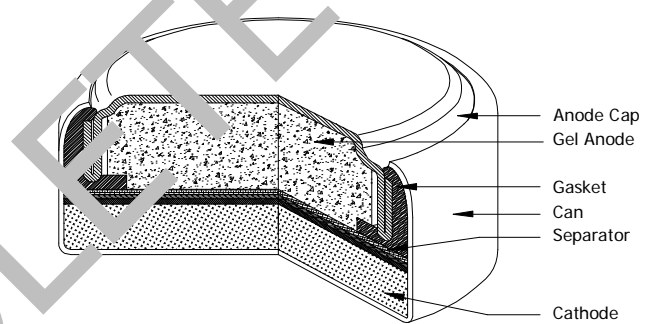
DESIGNED FOR USE ON CONTINUOUS LOW DRAIN
HIGH PULSE ON DEMAND

Specifications

- Chemical System:** Silver Oxide (Zn/Ag₂O)
- Designation:** IEC-SR69
- Nominal Voltage:** 1.55 Volts
- Typical Capacity:** 35 mAh* (to 1.2 volts)
- Capacity Test:** 30K ohm continuous drain at 21°C
- Typical Weight:** 0.7 grams (0.023 oz.)
- Typical Volume:** 0.15 cubic centimeters (0.009 cubic inch)
- Impedance (40 Hz):** 5 to 15 ohms

* Varies according to the applied load, temperature, and cutoff voltage.

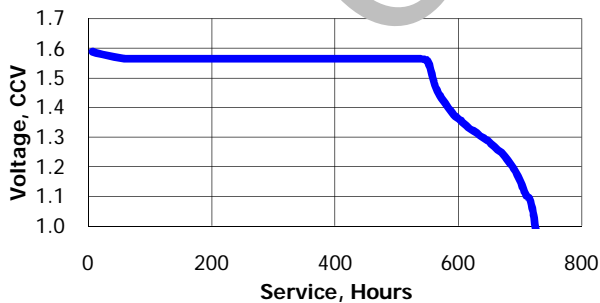
Cross Section



Typical Discharge Characteristics

Typical Performance at 21°C (70°F)

Schedule: Continuous
Typical Drain @ 1.53V:
0.051 milliamperes
Load: 30K ohm

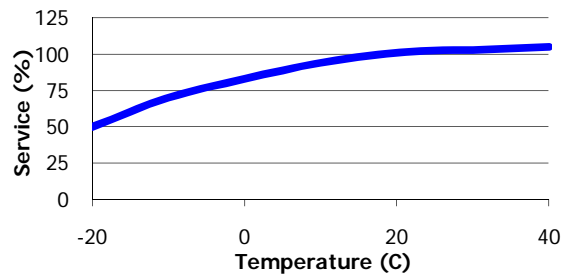


Schedule	Typical Drains at 1.53V (milliamperes)	Load (ohm)	Cutoff (hours)
Continuous	0.051	30K	687

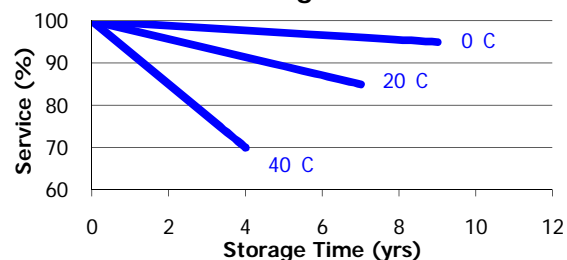
Temperature Characteristics

Typical Performance at Low Discharge Rates

Service Effects



Storage Effects



Important Notice

This datasheet contains typical information specific to products manufactured at the time of its publication.
© Energizer Holdings, Inc. - Contents herein do not constitute a warranty.