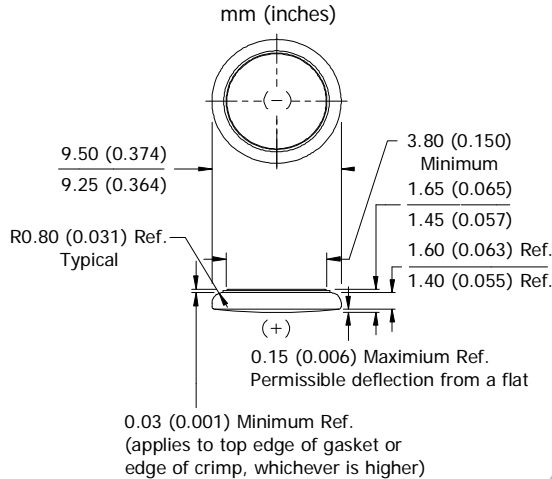


ENERGIZER 373

SILVER OXIDE



Industry Standard Dimensions



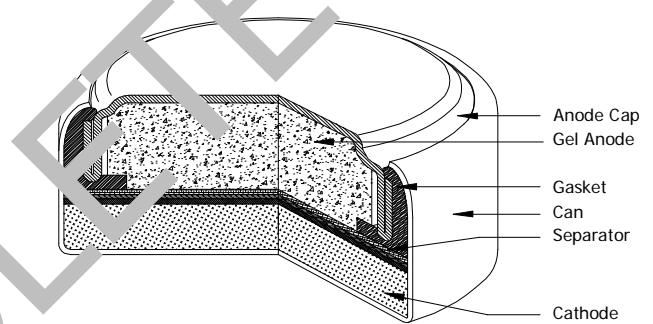
DESIGNED FOR USE ON CONTINUOUS LOW DRAIN

Specifications

Chemical System:	Silver Oxide (Zn/Ag ₂ O)
Designation:	IEC-SR68
Nominal Voltage:	1.55 Volts
Typical Capacity:	30 mAh* (to 1.2 volts)
Capacity Test:	30K ohm continuous drain at 21°C
Typical Weight:	0.50 grams (0.016 oz.)
Typical Volume:	0.12 cubic centimeters (0.007 cubic inch)
Impedance (40 Hz):	40 to 50 ohms

* Varies according to the applied load, temperature, and cutoff voltage.

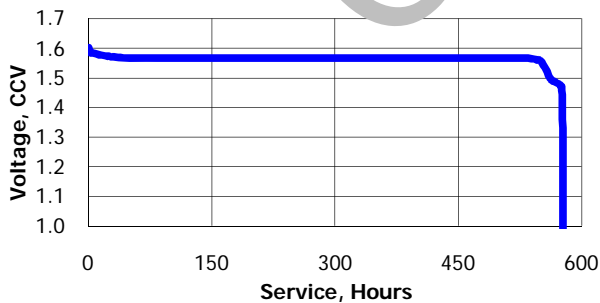
Cross Section



Typical Discharge Characteristics

Typical Performance at 21°C (70°F)

Schedule: Continuous
Typical Drain @ 1.55V:
0.052 milliamperes
Load: 30K ohm

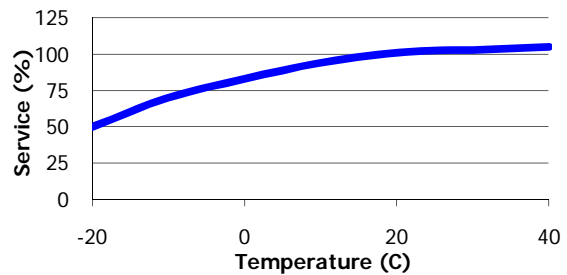


Schedule	Typical Drains at 1.55V (milliamperes)	Load (ohm)	Cutoff (hours)
Continuous	0.052	30K	577

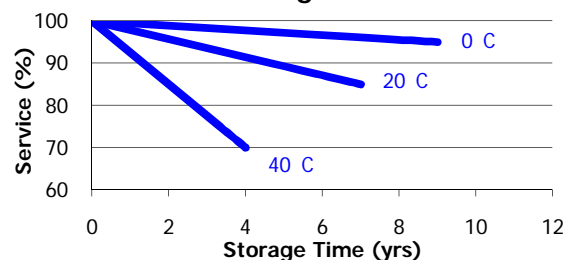
Temperature Characteristics

Typical Performance at Low Discharge Rates

Service Effects



Storage Effects



Important Notice

This datasheet contains typical information specific to products manufactured at the time of its publication.
© Energizer Holdings, Inc. - Contents herein do not constitute a warranty.