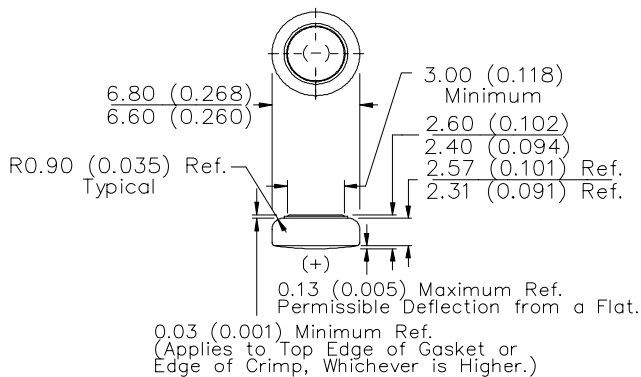


## ENERGIZER NO. 376



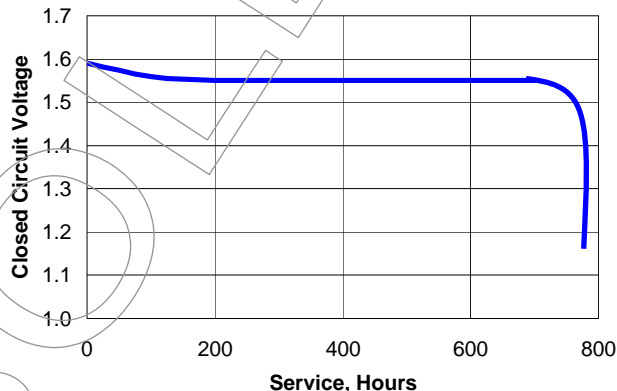
### Industry Standard Dimensions in mm (inches)



**Chemical System:** Silver Oxide (Zn/Ag<sub>2</sub>O)

**Designation:** IEC-SR66  
**Battery Voltage:** 1.55 Volts  
**Average Weight:** 0.42 grams (0.015 oz.)  
**Volume:** 0.09 cubic centimeters (0.006 cubic inch)  
**Average Capacity:** 26 mAh to 1.3 volts  
 (Rated at 45k ohms continuous at 21°C)

**TYPICAL DISCHARGE CURVE**  
 Simulated Test @ 21°C (70°F)



**DESIGNED FOR USE ON CONTINUOUS LOW DRAIN  
 HIGH PULSE DRAIN ON DEMAND**

**Simulated Application Test**  
 Estimated Average Service at 21°C (70°F)

Schedule:	Typical Drains at 1.55V (milliamperes)	Load (ohms)	Cutoff Voltage
			1.3V
24 hours/day	0.034	45,000	762 Hours

**INTERNAL RESISTANCE:** Closed circuit voltage no less than 1.00 volts on a load of 100 ohms at 21°C (70°F) for 0.1 to 2.0 seconds.

Typical closed circuit voltage during discharge on a load of 200 ohms for 5.0 seconds.

**Depth of Discharge as Percent of Rated Capacity**

Temperature	0%	40%	80%
21°C (70°F)	1.48V	1.28V	1.18V
-10°C (14°F)	0.75V	0.71V	0.60V

**Important Notice**

This data sheet contains information specific to batteries manufactured at the time of its publication.

**Contents herein do not constitute a warranty.**

Copyright © Eveready Battery Co. Inc. - All Rights Reserved