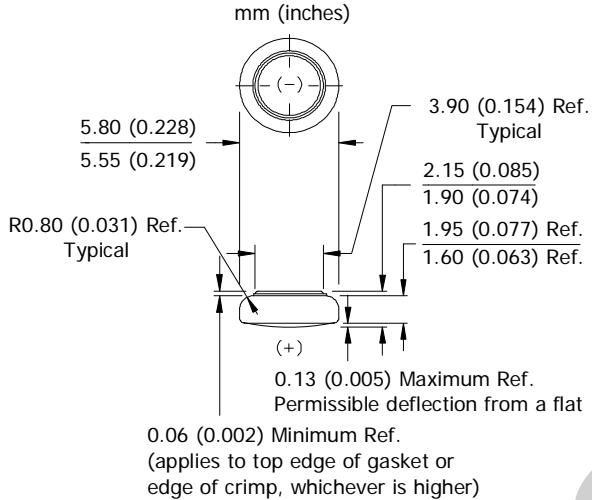


**ENERGIZER 379**

**SILVER OXIDE**



**Industry Standard Dimensions**

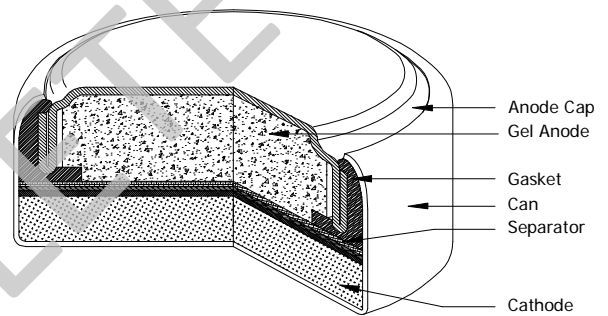


**Specifications**

**Chemical System:** Silver Oxide (Zn/Ag<sub>2</sub>O)  
**Designation:** ANSI/NEDA-1191SO  
**Nominal Voltage:** 1.55 Volts  
**Typical Capacity:** 14.5 mAh\* (to 1.2 volts)  
**Capacity Test:** 68K ohm continuous drain at 21°C  
**Typical Weight:** 0.25 grams (0.009 oz.)  
**Typical Volume:** 0.06 cubic centimeters (0.003 cubic inch)  
**Impedance (40 Hz):** 75 to 85 ohms

\* Varies according to the applied load, temperature, and cutoff voltage.

**Cross Section**

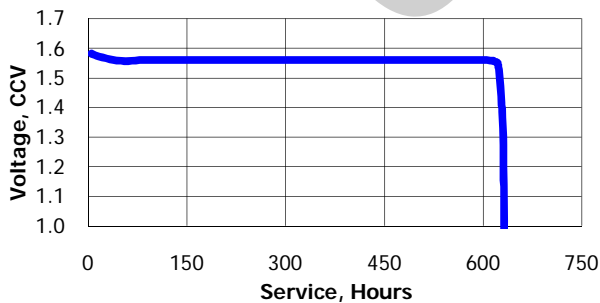


DESIGNED FOR USE ON CONTINUOUS LOW DRAIN

**Typical Discharge Characteristics**

Typical Performance at 21°C (70°F)

**Schedule:** Continuous  
**Typical Drain @1.55V:**  
 0.023 milliamperes  
**Load:** 68K ohm

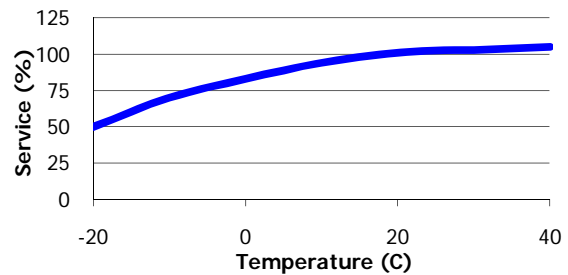


<u>Schedule</u>	<u>Typical Drains</u> at 1.55V (milliamperes)	<u>Load</u> (ohm)	<u>Cutoff</u> 1.2V (hours)
Continuous	0.023	68K	630

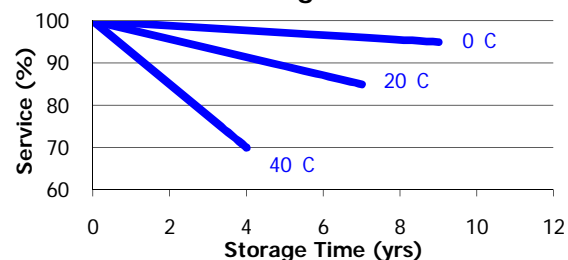
**Temperature Characteristics**

Typical Performance at Low Discharge Rates

**Service Effects**



**Storage Effects**



**Important Notice**

This datasheet contains typical information specific to products manufactured at the time of its publication.  
 © Energizer Holdings, Inc. - Contents herein do not constitute a warranty.