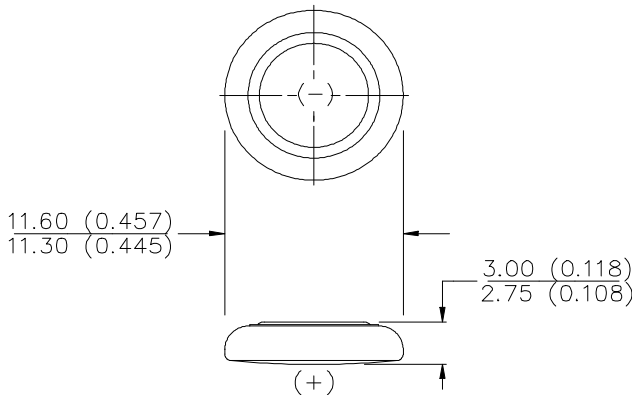


ENERGIZER NO. 390



Industry Standard Dimensions in mm (inches)

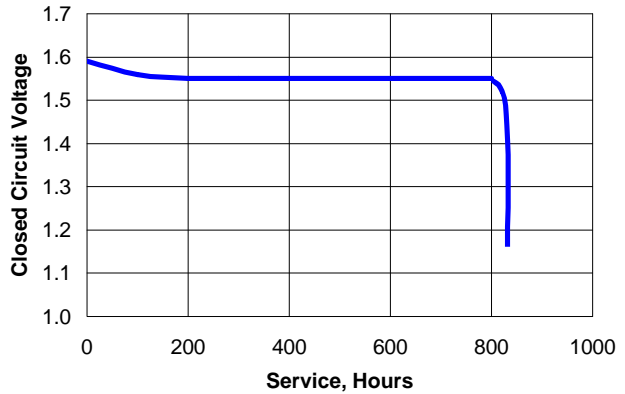


DESIGNED FOR USE ON CONTINUOUS LOW DRAIN

Chemical System: Silver Oxide (Zn/Ag₂O)

Designation: IEC-SR54
Battery Voltage: 1.55 Volts
Average Weight: 1.35 grams (0.048 oz.)
Volume: 0.32 cubic centimeters (0.019 cubic inch)
Average Capacity: 85 mAh to 1.3 volts
 (Rated at 15k ohms continuous at 21°C)

TYPICAL DISCHARGE CURVE
 Simulated Test @ 21°C (70°F)



Simulated Application Test
 Estimated Average Service at 21°C (70°F)

Schedule:	Typical Drains at 1.55V (milliamperes)	Load (ohms)	Cutoff Voltage
			1.3V
24 hours/day	0.103	15,000	825 Hours

INTERNAL RESISTANCE: Closed circuit voltage no less than 1.20 volts on a load of 100 ohms at 21°C (70°F) for 0.1 to 2.0 seconds.

Typical closed circuit voltage during discharge on a load of 100 ohms for 5.0 seconds.

Depth of Discharge as Percent of Rated Capacity

Temperature	0%	40%	80%
21°C (70°F)	1.57V	1.56V	1.56V
-10°C (14°F)	1.45V	1.49V	1.51V

Important Notice

This data sheet contains information specific to batteries manufactured at the time of its publication.

Contents herein do not constitute a warranty.

Copyright © Eveready Battery Co. Inc. - All Rights Reserved