

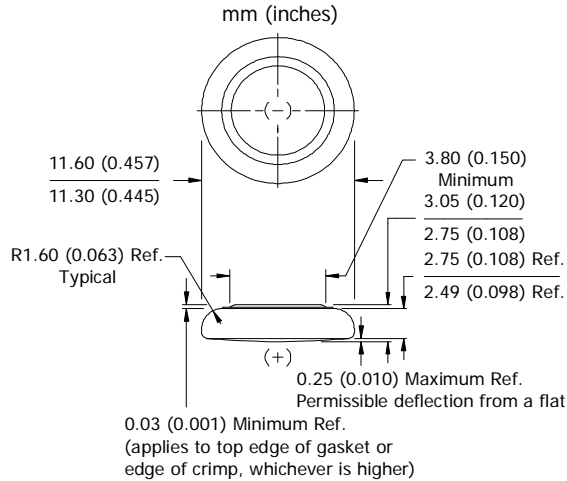
ENERGIZER 390

ZEROMERCURY

SILVER OXIDE



Industry Standard Dimensions



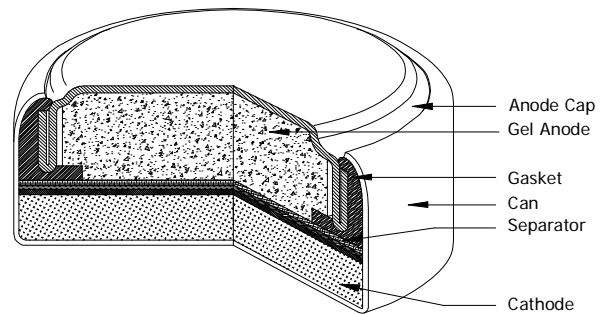
DESIGNED FOR USE ON CONTINUOUS LOW DRAIN
(HIGH PULSE ON DEMAND)

Specifications

- Chemical System:** Silver Oxide (Zn/Ag₂O)
- Designation:** ANSI-1138SO, IEC-SR54
- Nominal Voltage:** 1.55 Volts
- Typical Capacity:** 85 mAh* (to 1.2 volts)
- Capacity Test:** 10K ohm continuous drain at 21°C
- Typical Weight:** 1.32 grams (0.048 oz.)
- Typical Volume:** 0.32 cubic centimeters (0.019 cubic inch)
- Impedance (40 Hz):** 5 to 7 ohms

* Varies according to the applied load, temperature, and cutoff voltage.

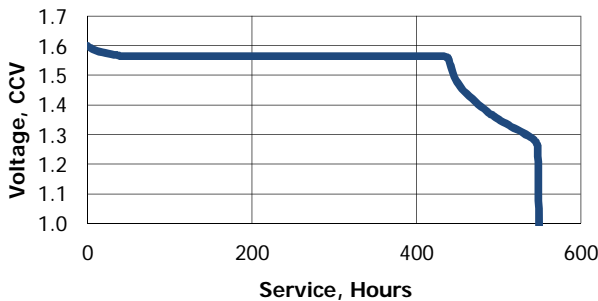
Cross Section



Typical Discharge Characteristics

Typical Performance at 21°C (70°F)

Schedule: Continuous
Typical Drain @1.55V:
0.155 milliamperes
Load: 10K ohm

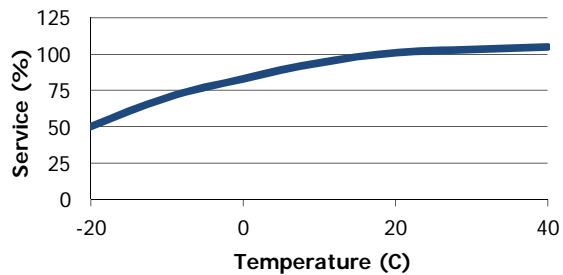


<u>Schedule</u>	<u>Typical Drains</u> at 1.52V (milliamperes)	<u>Load</u> (ohm)	<u>Cutoff</u> 1.2V (hours)
Continuous	0.155	10K	548

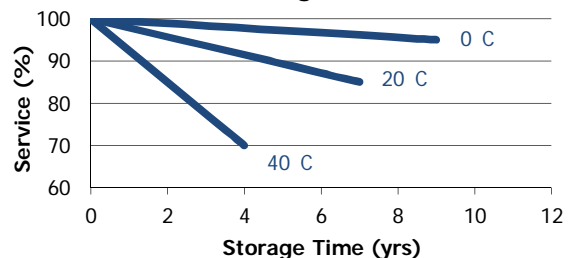
Temperature Characteristics

Typical Performance at Low Discharge Rates

Service Effects



Storage Effects



Important Notice

This datasheet contains typical information specific to products manufactured at the time of its publication.

©Energizer Holdings, Inc. - Contents herein do not constitute a warranty.