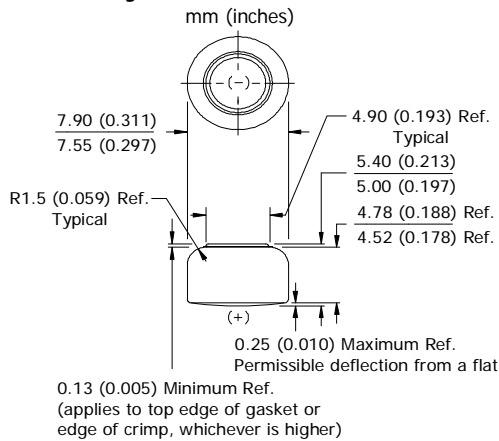


**ENERGIZER 393**

**SILVER OXIDE**



**Industry Standard Dimensions**



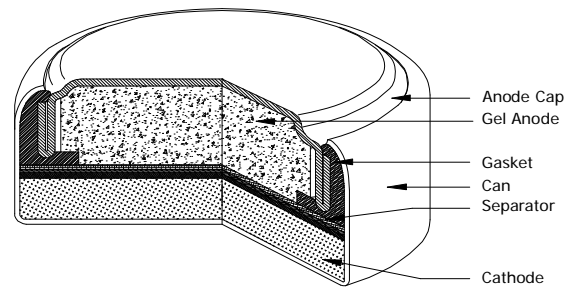
DESIGNED FOR USE ON CONTINUOUS LOW DRAIN  
HIGH PULSE ON DEMAND

**Specifications**

**Chemical System:** Silver Oxide (Zn/Ag<sub>2</sub>O)  
**Designation:** IEC-SR48  
**Nominal Voltage:** 1.55 Volts  
**Typical Capacity:** 75 mAh\* (to 1.2 volts)  
**Capacity Test:** 10K ohm continuous drain at 21°C  
**Typical Weight:** 1.12 grams  
**Typical Volume:** 0.26 cubic centimeters  
**Impedance (40 Hz):** 20 to 30 ohms

\* Varies according to the applied load, temperature, and cutoff voltage.

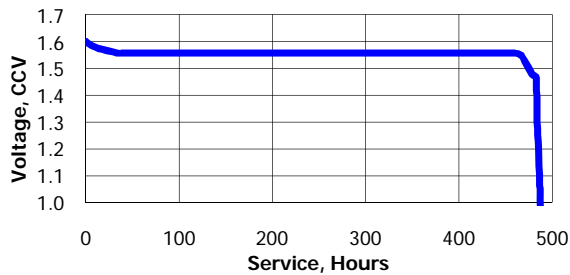
**Cross Section**



**Typical Discharge Characteristics**

Typical Performance at 21°C (70°F)

**Schedule:** Continuous  
**Typical Drain @ 1.55V:**  
0.155 milliamperes  
**Load:** 10K ohm

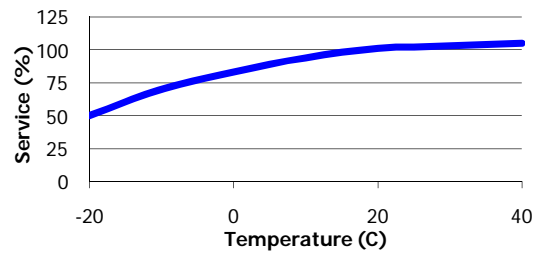


<u>Schedule</u>	<u>Typical Drains</u> at 1.55V (milliamperes)	<u>Load</u> (ohm)	<u>Cutoff</u> 1.2V (hours)
Continuous	0.155	10K	484

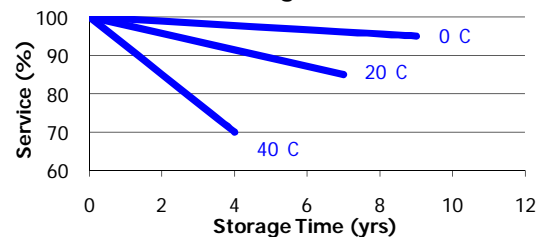
**Temperature Characteristics**

Typical Performance at Low Discharge Rates

**Service Effects**



**Storage Effects**



**Important Notice**

This datasheet contains typical information specific to products manufactured at the time of its publication.  
©Energizer Holdings, Inc. - Contents herein do not constitute a warranty.