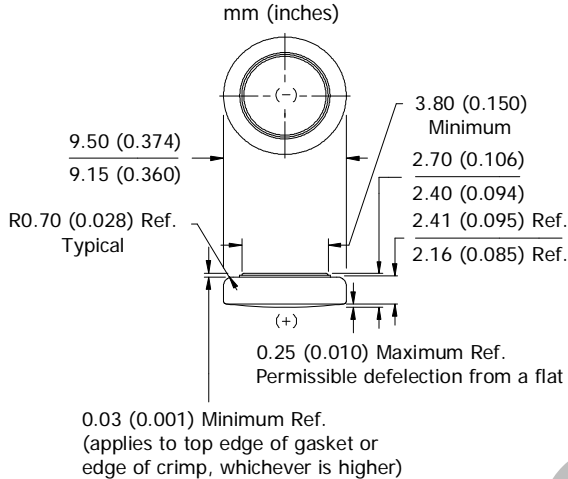


ENERGIZER 395/399

SILVER OXIDE



Industry Standard Dimensions



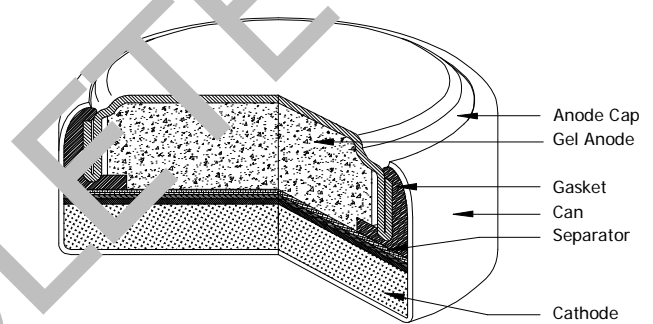
DESIGNED FOR USE ON CONTINUOUS LOW DRAIN
HIGH PULSE ON DEMAND

Specifications

- Chemical System:** Silver Oxide (Zn/Ag₂O)
- Designation:** ANSI-1162SO/1165SO, IEC-SR57
- Nominal Voltage:** 1.55 Volts
- Typical Capacity:** 54 mAh* (to 1.2 volts)
- Capacity Test:** 20K ohm continuous drain at 21°C
- Typical Weight:** 0.8 grams (0.03 oz.)
- Typical Volume:** 0.19 cubic centimeters (0.012 cubic inch)
- Impedance (40 Hz):** 5 to 15 ohms

* Varies according to the applied load, temperature, and cutoff voltage.

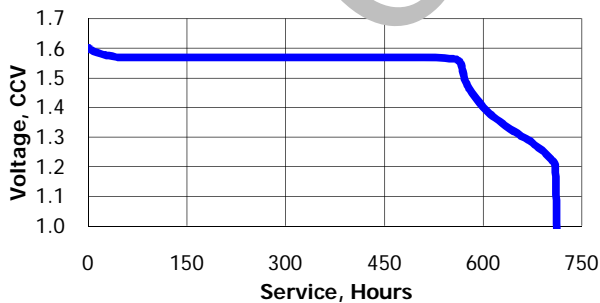
Cross Section



Typical Discharge Characteristics

Typical Performance at 21°C (70°F)

Schedule: Continuous
Typical Drain @ 1.52V:
0.076 milliamperes
Load: 20K ohm

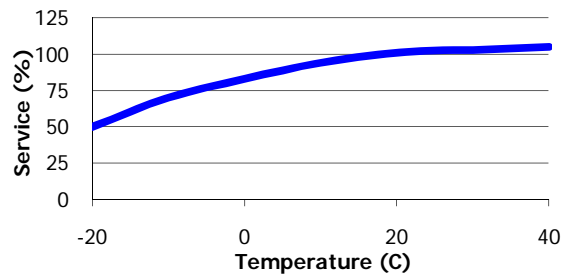


Schedule	Typical Drains at 1.52V (milliamperes)	Load (ohm)	Cutoff (hours)
Continuous	0.076	20K	710

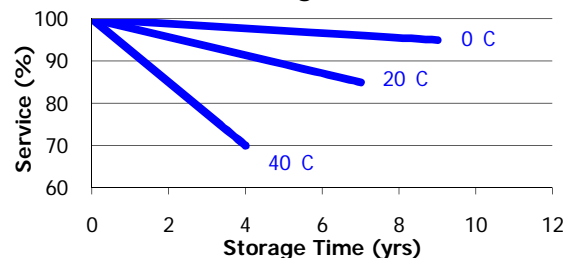
Temperature Characteristics

Typical Performance at Low Discharge Rates

Service Effects



Storage Effects



Important Notice

This datasheet contains typical information specific to products manufactured at the time of its publication.
© Energizer Holdings, Inc. - Contents herein do not constitute a warranty.