



Eveready Battery Company, Inc.

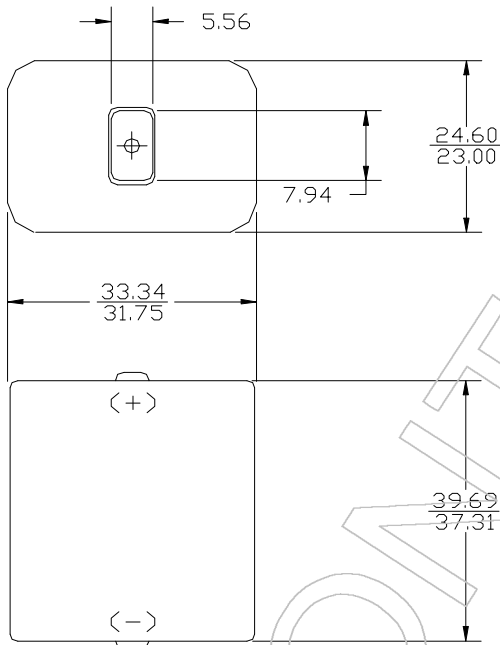
Checkerboard Square
St. Louis, MO 63164
Telephone 1-800-383-7323
Internet: www.energizer.com

Engineering Data

LeClanche 15V

EVEREADY NO. 417

Dimensions (mm)



Chemical System: LeClanche-Manganese Dioxide
(Zn/MnO₂)

Battery Voltage: 15 Volts

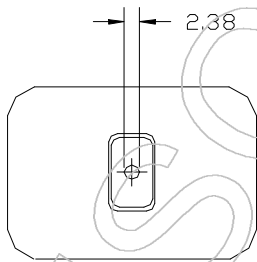
Average Weight: 51.0 grams (1.8 oz.)

Volume: 30.6 cubic centimeters (1.87 cubic inch)

Cell: Ten No. 132 (ANSI F30) in series

Terminals: Flat contacts with holes

| Millimeters | Inches |
|-------------|--------|
| 2.38 | 0.094 |
| 5.56 | 0.219 |
| 7.94 | 0.313 |
| 23.00 | 0.906 |
| 24.60 | 0.969 |
| 31.75 | 1.251 |
| 33.34 | 1.314 |
| 37.31 | 1.470 |
| 39.69 | 1.564 |



Important Notice

This data sheet contains information specific to batteries manufactured at time of its publication. Please contact your Energizer representative for most current information. Contents herein do not constitute a warranty.