



Eveready Battery Company, Inc.  
 Checkerboard Square  
 St. Louis, MO 63164  
 Telephone: 1-800-383-7323  
 Internet: www.energizer.com

## Engineering Data

**EVEREADY NO. 457**

**LeClanche 67.5V**  
 No Added Mercury or Cadmium

**Chemical System:** LeClanche-Manganese Dioxide (Zn/MnO<sub>2</sub>)

**Designation:** ANSI / NEDA-203, IEC-45F30

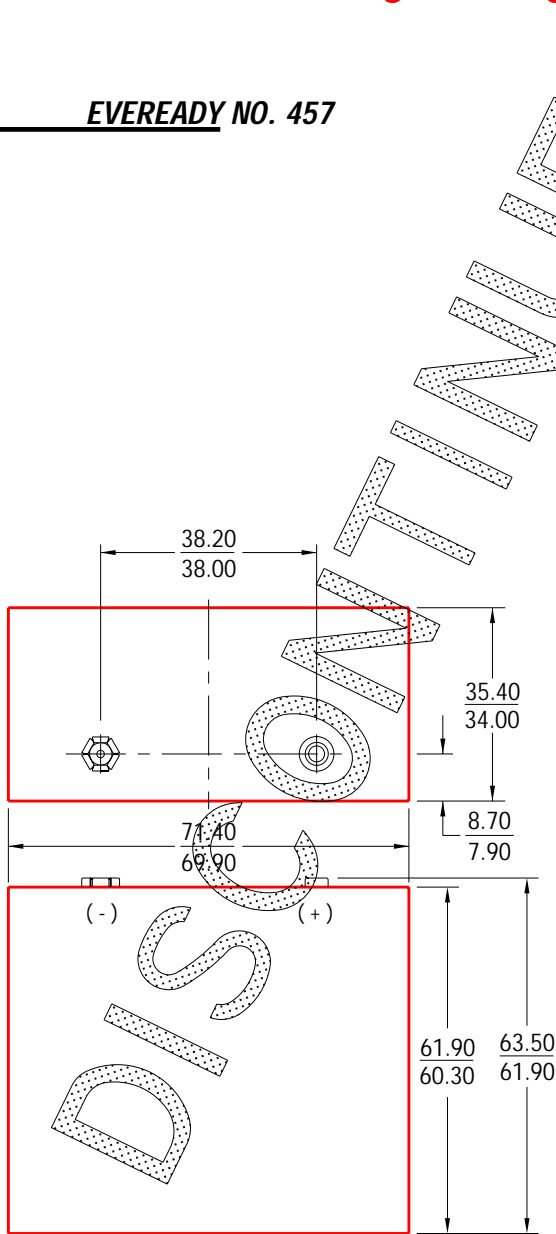
**Battery Voltage:** 67.5 Volts

**Average Weight:** 227 grams (8.0 oz.)

**Volume:** 154 cubic centimeters (9.4 cubic inch)

**Cells:** Eighty eight No. 112-Two parallel strings of four in series.

Dimensions (mm)



Millimeters	Inches
7.90	.311
8.70	.343
34.00	1.339
35.40	1.394
38.00	1.496
38.20	1.504
60.30	2.374
61.90	2.437
63.50	2.500
69.90	2.752
71.40	2.811