

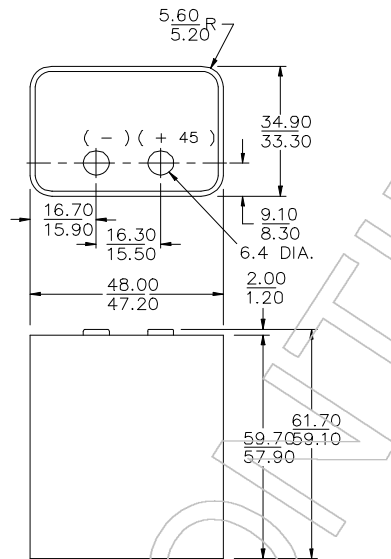


Eveready Battery Company, Inc.

Checkerboard Square
St. Louis, MO 63164
Telephone 1-800-383-7323
Internet: www.energizer.com

Engineering Data

ENERGIZER NO. 460



Chemical System: LeClanche
Designation: N/A
Typical Weight: N/A
Volume: N/A

Dimensions (mm)

Millimeters	Inches
1.20	0.047
2.00	0.079
5.20	0.205
5.60	0.220
6.40	0.252
8.30	0.327
9.10	0.358
15.50	0.610
15.90	0.626
16.30	0.642
16.70	0.657
33.30	1.311
34.90	1.374
47.20	1.858
48.00	1.890
57.90	2.280
59.10	2.327
59.70	2.350
61.70	2.429

IMPORTANT NOTICE

This data sheet contains information specific to batteries manufactured at time of its publication. Please contact your Energizer representative for most current information. Contents herein do not constitute a warranty.