



Eveready Battery Company, Inc.
Checkerboard Square
St. Louis, MO 63164
Telephone: 1-800-383-7323
Internet: www.energizer.com

Engineering Data

EVEREADY NO. 490

LeClanche 90V
No Added Mercury or Cadmium

Chemical System: LeClanche-Manganese Dioxide (Zn/MnO₂)

Designation: ANSI / NEDA-204, IEC-60F40

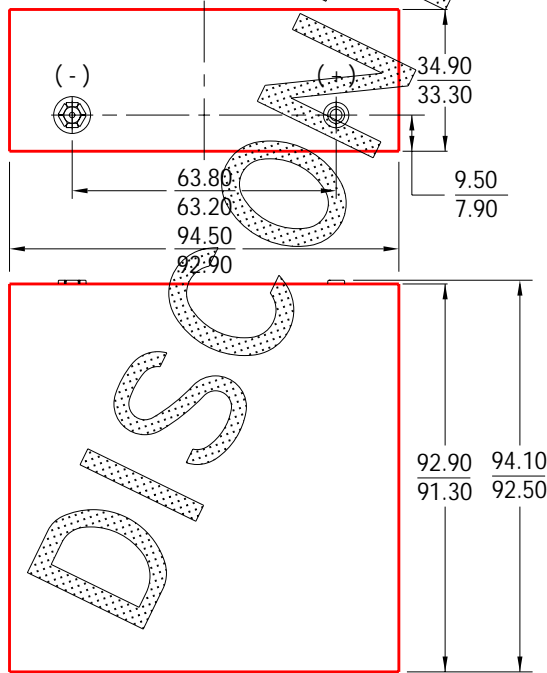
Battery Voltage: 90 Volts

Average Weight: 460 grams (16.2 oz.)

Volume: 306 cubic centimeters (18.7 cubic inch)

Cells: Sixty No. 135 in series.

Dimensions (mm)



| Millimeters | Inches |
|-------------|--------|
| 7.90 | .311 |
| 9.50 | .374 |
| 33.30 | 1.311 |
| 34.90 | 1.374 |
| 63.20 | 2.488 |
| 63.80 | 2.512 |
| 91.30 | 3.594 |
| 92.50 | 3.642 |
| 92.90 | 3.657 |
| 94.10 | 3.705 |
| 94.50 | 3.720 |