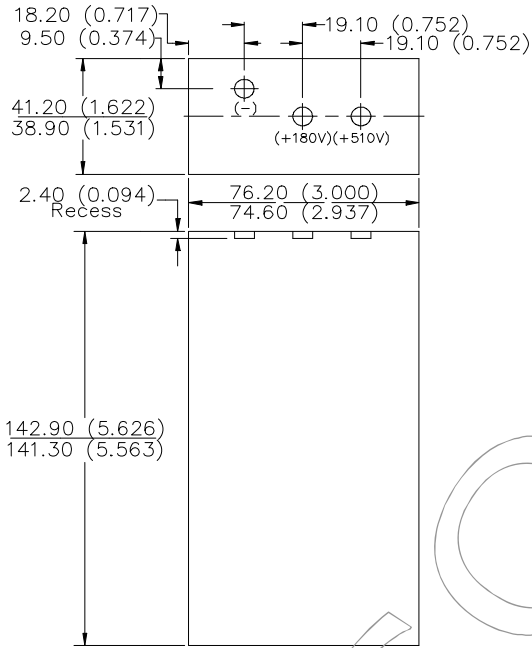


ENERGIZER NO. 497



Industry Standard Dimensions in mm (inches)



Chemical System: Zinc-Manganese Dioxide (Zn/MnO₂)

Designation: ANSI/NEDA-741, IEC-336F20

Battery Voltage: 180, 510 Volts

Average Weight: 780 grams (27.6 oz.)

Volume: 441 cubic centimeters (26.9 cubic inch)

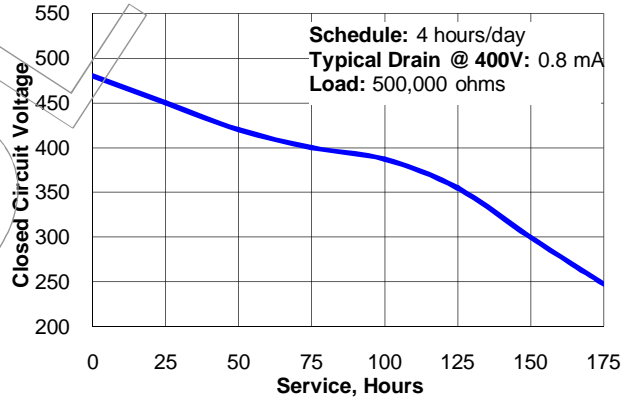
Average Capacity: 140 mAh to 0.8 volts/cell
 (Rated at 25 mA continuous drain at 21°C)

Cells: Three Hundred Thirty Six No. 112 in series

Jacket: Paper

TYPICAL DISCHARGE CURVE

Simulated Test @ 21°C (70°F)



Simulated Application Test Estimated Average Service at 21°C (70°F)

Schedule:	Typical Drains at 400V (watt-second)	Load (ohms)	Cutoff Voltage
			Seconds
Photoflash 1 sec/min 1 hour/day	100	Load for two No. 497 batteries in series is RC circuit utilizing 990 microfarad capacitor and 500 ohms resistor.	380V (Two batteries in series) 500

Important Notice

This data sheet contains information specific to batteries manufactured at the time of its publication.

Contents herein do not constitute a warranty.

Copyright © Eveready Battery Co. Inc. - All Rights Reserved