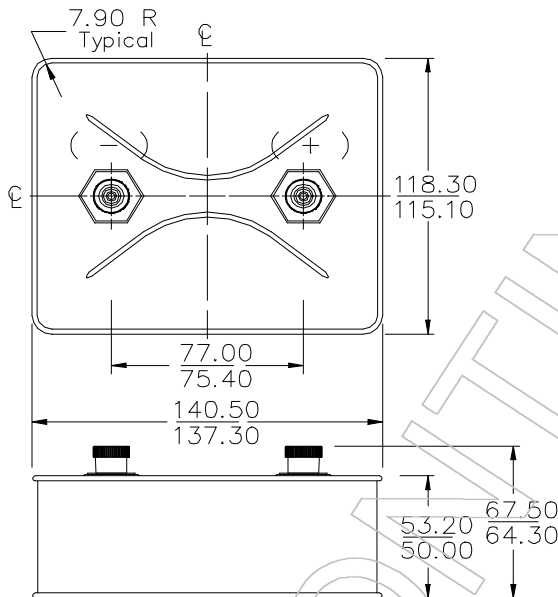


Engineering Data

ENERGIZER NO. 520



Chemical System: Alkaline-Manganese Dioxide (Zn/MnO₂)
Designation: ANSI / NEDA-930A, IEC-4LR20-2
Typical Weight: 1.12 kilograms (39.51 oz.)
Volume: 283 cubic centimeters (53.9 cubic in.)
Cells: Four No. 3-361 in series
Jacket: Metal
Terminals: Insulated Knurl / Screw Post

Dimensions (mm)

Millimeters	Inches
7.90	0.311
50.00	1.969
53.20	2.094
64.30	2.531
67.50	2.657
75.40	2.969
77.00	3.031
115.10	4.531
118.30	4.657
137.30	5.406
140.50	5.531

IMPORTANT NOTICE

This data sheet contains information specific to batteries manufactured at time of its publication. Please contact your Energizer representative for most current information. Contents herein do not constitute a warranty.