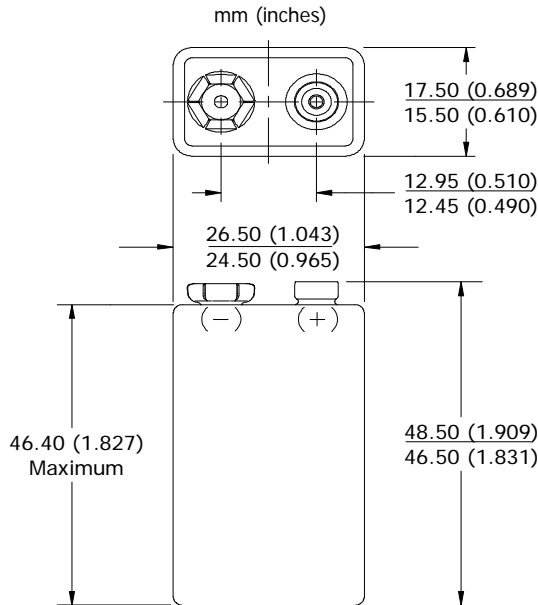


ENERGIZER 522

9V



Industry Standard Dimensions

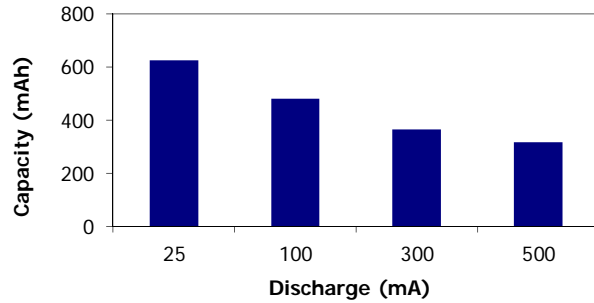


Specifications

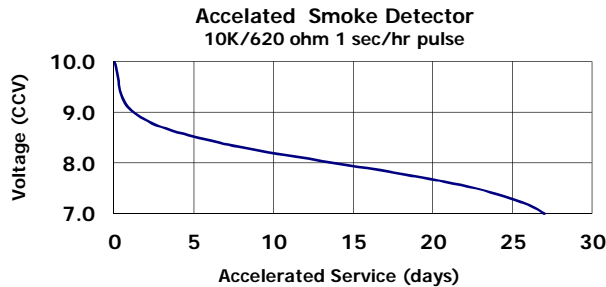
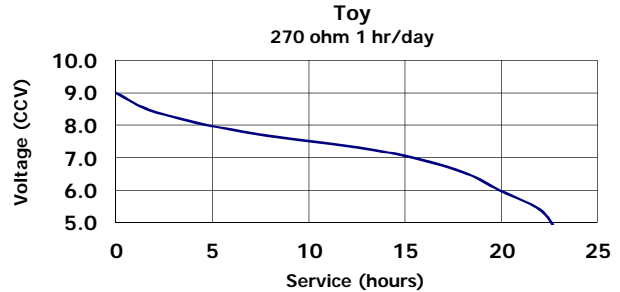
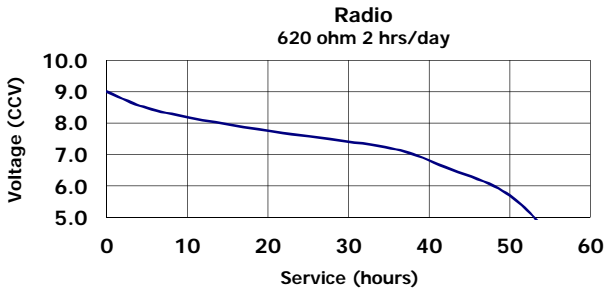
| | |
|-------------------------|--|
| Classification: | Alkaline |
| Chemical System: | Zinc-Manganese Dioxide (Zn/MnO ₂) No added mercury or cadmium |
| Designation: | ANSI-1604A, IEC-6LR61 |
| Nominal Voltage: | 9.0 volts |
| Operating Temp: | -18°C to 55°C (0°F to 130°F) |
| Typical Weight: | 45.6 grams (1.6 oz.) |
| Typical Volume: | 21.1 cubic centimeters (1.3 cubic inch) |
| Jacket: | Metal |
| Shelf Life: | 5 years at 21°C |
| Terminal: | Miniature Snap |

Milliamp-Hours Capacity

Continuous discharge to 4.8 volts at 21°C



Industry Standard Tests (21°C)



Important Notice

This datasheet contains typical information specific to products manufactured at the time of its publication.
©Energizer Brands, LLC. - Contents herein do not constitute a warranty.