

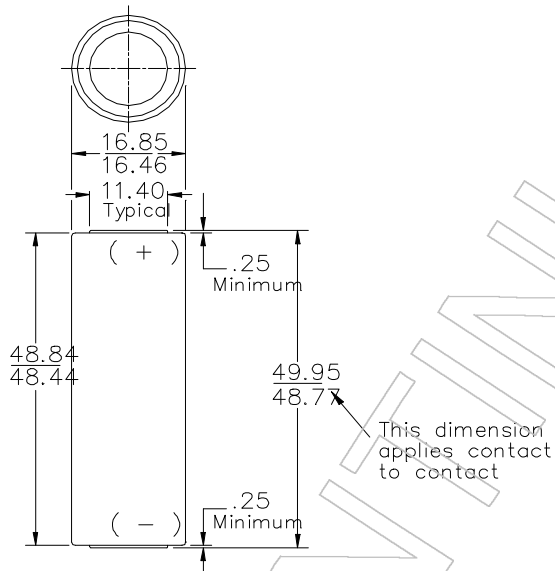


Eveready Battery Company, Inc.

Checkerboard Square
St. Louis, MO 63164
Telephone 1-800-383-7323
Internet: www.energizer.com

Engineering Data

ENERGIZER NO. 523



Chemical System: Alkaline-Manganese Dioxide (Zn/MnO₂)

Designation: ANSI / NEDA-1306AP, IEC-3LR50

Typical Weight: 31 grams (1.09 oz.)

Volume: 11 cubic centimeters (0.67 cubic in.)

Cells: Three No. 3-0663 in series

Jacket: Metal

Terminals: Flat contact

Dimensions (mm)

Millimeters	Inches
0.25	0.010
11.40	0.449
16.46	0.648
16.85	0.663
48.44	1.907
48.77	1.920
48.84	1.923
49.95	1.966

IMPORTANT NOTICE

This data sheet contains information specific to batteries manufactured at time of its publication. Please contact your Energizer representative for most current information. Contents herein do not constitute a warranty.