

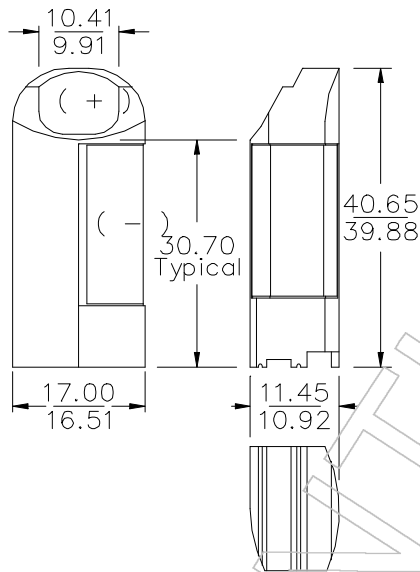


Eveready Battery Company, Inc.

Checkerboard Square
St. Louis, MO 63164
Telephone 1-800-383-7323
Internet: www.energizer.com

Engineering Data

ENERGIZER NO. 538



Chemical System: Manganese Dioxide (MnO₂)
Designation: ANSI / NEDA-1313AP,
Voltage: 4.5 Volts
Typical Capacity (to 2.7V): 165 mAh
(Rated capacity at 2.5K ohms continuous at 21°C)
Typical Weight: 12.2 grams (.43 oz.)
Volume: 7.4 cubic centimeters (0.45 cubic in.)
Cells: Three No. 1522 in series
Jacket: Plastic

Dimensions (mm)

Millimeters	Inches
9.91	0.390
10.41	0.410
10.92	0.430
11.45	0.451
16.51	0.650
17.00	0.669
30.70	1.210
39.88	1.570
40.65	1.600

IMPORTANT NOTICE

This data sheet contains information specific to batteries manufactured at time of its publication. Please contact your Energizer representative for most current information. Contents herein do not constitute a warranty.