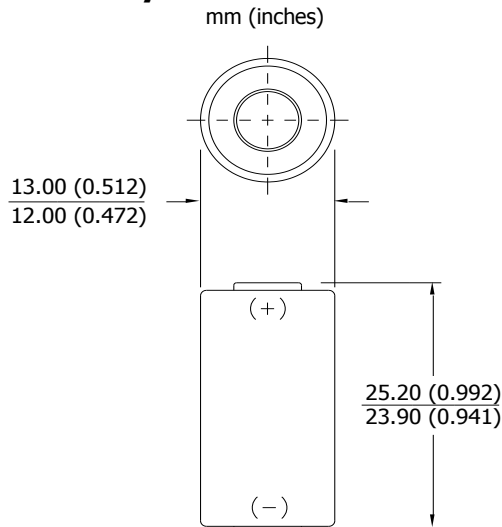


ENERGIZER 544

Sliver Oxide



Industry Standard Dimensions



Designed for general application which may require high rate pulse.

Simulated Application Tests Estimated Average Service at 21°C (70°F)

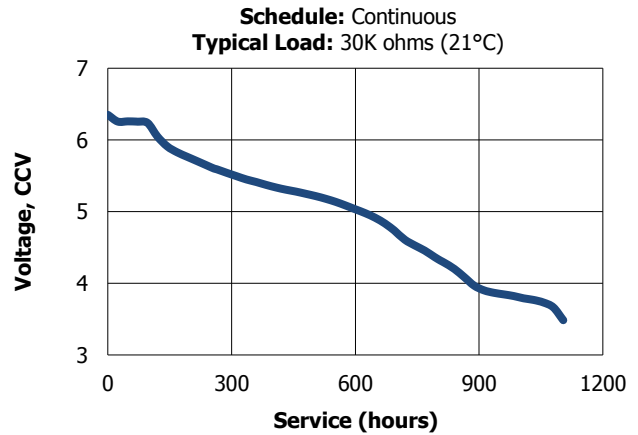
Schedule	Typical Drains @ 5.0V		Cutoff Voltage
	mA	Load (ohms)	3.6V
Constant	0.167	30,000	hours 972

Internal Resistance Closed circuit voltage no less than 5.1 volts on a load of 120 ohms at 21°C (70°F) for 0.1 to 2.0 seconds.

Specifications

- Chemical System:** Silver Oxide (Zn/Ag₂O)
- Designation:** ANSI/NEDA-1406SOP, IEC-4SR44
- Nominal Voltage:** 6.0 volts
- Typical Weight:** 10 grams (0.3 oz)
- Typical Volume:** 3.3 cubic centimeters (0.2 cubic inch)
- Typical Capacity:** 162 mAh to 3.6 volts (rated at 30k ohms at 21°C)
- Cells:** Four No. SR44 in series

Discharge Characteristics



Important Notice

This datasheet contains typical information specific to products manufactured at the time of its publication.
©Energizer Holdings, Inc. - Contents herein do not constitute a warranty.