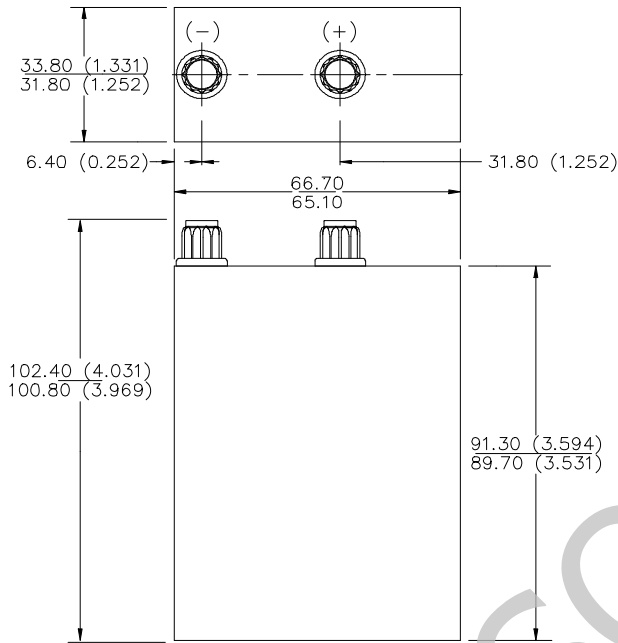


**EVEREADY 711**



**Industry Standard Dimensions**



**Chemical System:** Zinc-Manganese Dioxide (Zn/MnO<sub>2</sub>)

**Designation:** ANSI / NEDA-700, IEC-R25-2

**Battery Voltage:** 1.5 Volts

**Average Weight:** 300 grams (10.6 oz.)

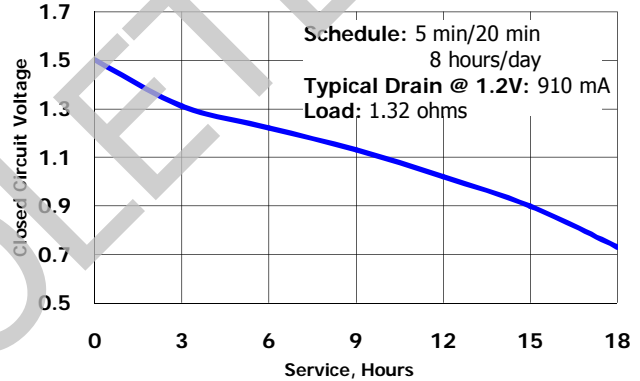
**Volume:** 334 cubic centimeters (12.4 cubic inch)

**Average Capacity:** 2,200 mAh to 0.8 volts/cell  
(Rated at 25 mA continuous drain at 21°C)

**Cells:** Two No. 60 (size "F") in parallel

**Jacket:** Paper

**TYPICAL DISCHARGE CURVE**  
Simulated Test @ 21°C (70°F)



**Simulated Application Test**  
Estimated Average Service at 21°C (70°F)

Schedule:	Typical Drains at 1.2V (milliamperes)	Load (ohms)	Cutoff Voltage			
			0.8V	0.9V	1.0V	1.1V
4 hours/day	240	5	Hours 78 61 54			
5 min/20 min 8 hours/day	910	1.32	17	15	13	10

**Important Notice**

This data sheet contains information specific to batteries manufactured at the time of its publication.

**Contents herein do not constitute a warranty.**

Copyright © Eveready Battery Co. Inc. - All Rights Reserved