



Eveready Battery Company, Inc.  
 Checkerboard Square  
 St. Louis, MO 63164  
 Telephone: 1-800-383-7323  
 Internet: www.energizer.com

## Engineering Data

**EVEREADY NO. 716**

Zinc Chloride **9V**  
 No Added Mercury or Cadmium

**Chemical System:** Zinc-Manganese Dioxide (Zn/MnO<sub>2</sub>)

**Designation:** ANSI / NEDA-904, IEC-6R25-4

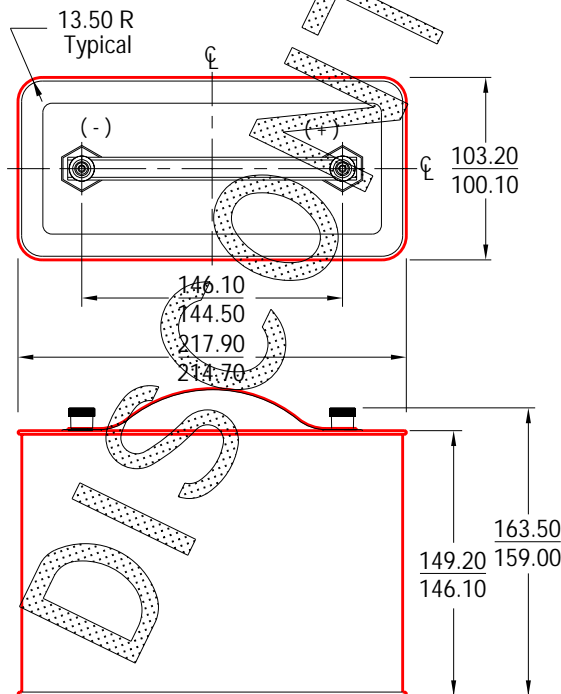
**Battery Voltage:** 9 Volts

**Average Weight:** 3.80 kilograms (134.0 oz.)

**Volume:** 3355 cubic centimeters (204.7 cubic inch)

**Cells:** Twenty four No. 60 (size "F")-Four parallel strings of six in series.

**Jacket:** Metal



Millimeters	Inches
13.50	.531
100.10	3.941
103.20	4.063
144.50	5.689
146.10	5.752
149.20	5.874
159.00	6.260
163.50	6.437
214.70	8.453
217.90	8.579