



Eveready Battery Company, Inc.
 Checkerboard Square
 St. Louis, MO 63164
 Telephone: 1-800-383-7323
 Internet: www.energizer.com

Engineering Data

EVEREADY NO. 731

Zinc Chloride **6V**

Classic

No Added Mercury or Cadmium

Chemical System: Zinc-Manganese Dioxide (Zn/MnO₂)

Designation: ANSI / NEDA-918, IEC-4R25-2

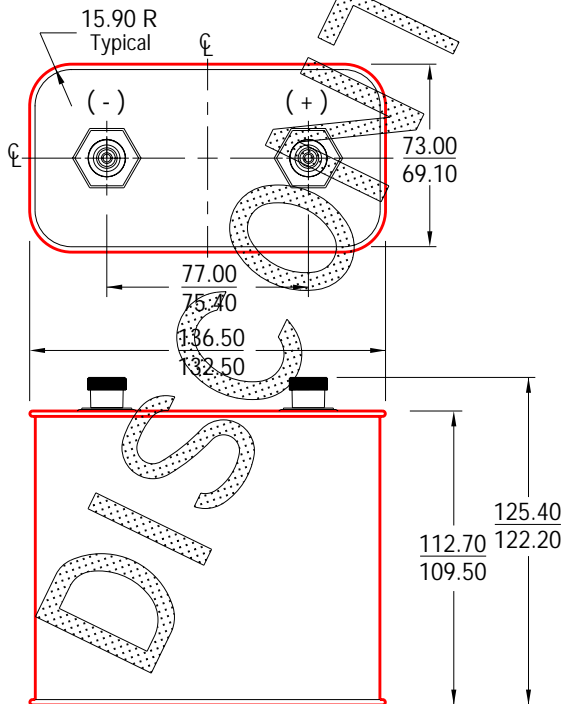
Battery Voltage: 6 Volts

Average Weight: 1.25 kilograms (44.1 oz.)

Volume: 1123 cubic centimeters (68.5 cubic inch)

Cells: Eight No. 60 (size "F")-Two parallel strings of four in series.

Jacket: Metal



Millimeters	Inches
15.90	.626
69.10	2.720
73.00	2.874
75.40	2.969
77.00	3.031
109.50	4.311
112.70	4.437
122.20	4.811
125.40	4.937
132.50	5.217
136.50	5.374