



Eveready Battery Company, Inc.

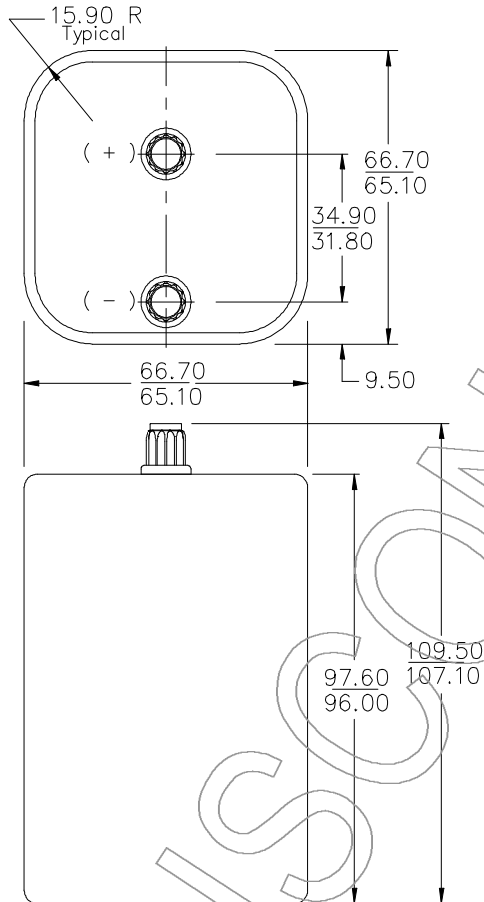
533 Maryville University Dr.
St. Louis, MO 63141
Telephone 1-800-383-7323
Internet: www.energizer.com

Engineering Data

Zinc Chloride 1.5V

ENERGIZER NO. 735

Dimensions (mm)



Chemical System: Zinc-Manganese Dioxide (Zn/MnO₂)

Designation: ANSI / NEDA-900, IEC-R25-4

Battery Voltage: 1.5 Volts

Average Weight: 653 grams (23.0 oz.)

Volume: 434 cubic centimeters (26.5 cubic inch)

Cells: Four No. 60 (size "F") in parallel

Jacket: Metal

Average Service capacity (to 0.8 Volts): 44 Ah
(Rated Capacity at 25 mA continuous drain)

Millimeters	Inches
9.50	0.374
15.90	0.626
31.80	1.252
34.90	1.374
65.10	2.563
66.70	2.626
96.00	3.780
97.60	3.843
107.10	4.217
109.50	4.311

Less Than 150 Parts per Million Mercury
Consult Eveready For Current
Zero Added Mercury Status

Important Notice

This data sheet contains information specific to batteries manufactured at time of its publication. Please contact your Energizer representative for most current information. Contents herein do not constitute a warranty.