



Eveready Battery Company, Inc.  
 Checkerboard Square  
 St. Louis, MO 63164  
 Telephone: 1-800-383-7323  
 Internet: www.energizer.com

## Engineering Data

**EVEREADY NO. 736**

**Zinc Chloride 4.5V**  
 No Added Mercury / Cadmium

**Chemical System:** Zinc-Manganese Dioxide (Zn/MnO<sub>2</sub>)

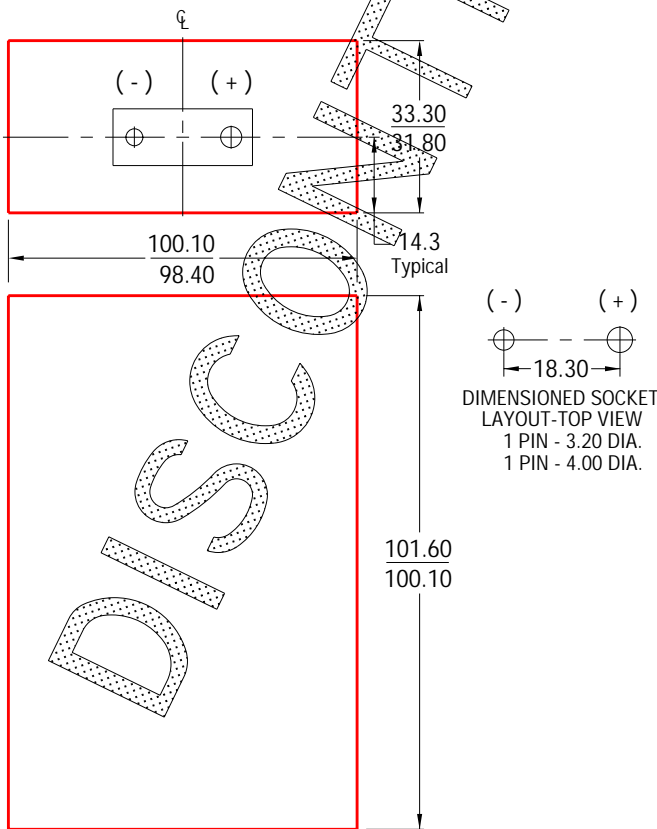
**Designation:** ANSI / NEDA-3, IEC-3R25

**Battery Voltage:** 4.5 Volts

**Average Weight:** 455 grams (16.0 oz.)

**Volume:** 339 cubic centimeters (20.7 cubic inch)

**Cells:** Three No. 60 (size "F") in series.



Millimeters	Inches
3.20	.126
4.00	.157
14.30	.563
18.30	.720
31.80	1.252
33.30	1.311
98.40	3.874
100.10	3.941
101.60	4.000