

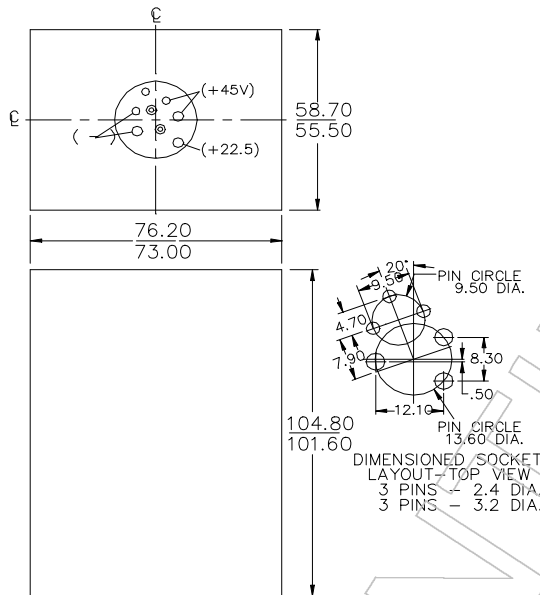


Eveready Battery Company, Inc.

Checkerboard Square  
 St. Louis, MO 63164  
 Telephone 1-800-383-7323  
 Internet: www.energizer.com

## Engineering Data

### ENERGIZER NO. 738



**Chemical System:** Alkaline-Manganese Dioxide (Zn/MnO<sub>2</sub>)  
**Designation:** ANSI / NEDA-205, IEC-30R6  
**Typical Weight:** 508 grams (17.9 oz.)  
**Volume:** 469 cubic centimeters (28.6 cubic in.)  
**Cells:** Thirty No. 15 (size "AA") in series  
**Terminals:** Socket

#### Dimensions (mm)

Millimeters	Inches
0.50	0.020
2.40	0.094
3.20	0.126
4.70	0.185
7.90	0.311
8.30	0.327
9.50	0.374
12.10	0.476
13.60	0.535
55.50	2.185
58.70	2.311
73.00	2.874
76.20	3.000
101.60	4.000
104.80	4.126

### IMPORTANT NOTICE

This data sheet contains information specific to batteries manufactured at time of its publication. Please contact your Energizer representative for most current information. Contents herein do not constitute a warranty.