

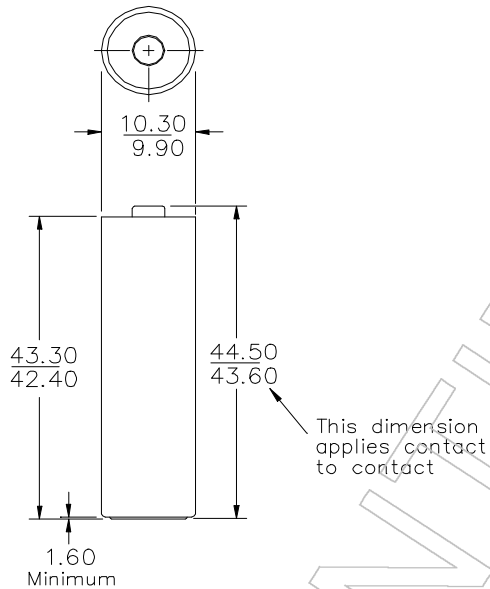


Eveready Battery Company, Inc.

Checkerboard Square  
St. Louis, MO 63164  
Telephone 1-800-383-7323  
Internet: www.energizer.com

## Engineering Data

### ENERGIZER NO. 912



**Chemical System:** LeClanche - Manganese Dioxide (Zn/MnO<sub>2</sub>)  
**Designation:** ANSI / NEDA-24F, IEC-R03  
**Typical Weight:** 8 grams (0.3 oz.)  
**Volume:** 4.0 cubic centimeters (0.2 cubic in.)  
**Celis:** One No. 12 (size "AAA")  
**Terminal:** Flat Contact

#### Dimensions (mm)

Millimeters	Inches
1.60	0.063
9.90	0.390
10.30	0.406
42.40	1.669
43.30	1.705
43.60	1.717
44.50	1.752

### IMPORTANT NOTICE

This data sheet contains information specific to batteries manufactured at time of its publication. Please contact your Energizer representative for most current information. Contents herein do not constitute a warranty.