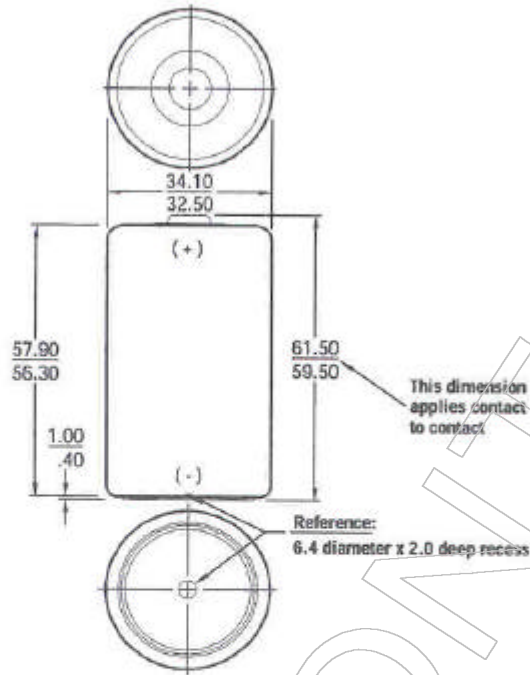




Eveready Battery Company, Inc.
 Checkerboard Square
 St. Louis, MO 63164
 Telephone: 1-800-383-7323
 Internet: www.energizer.com

Engineering Data

EVEREADY NO. 950



Chemical System: Zinc-Manganese Dioxide (Zn/MnO₂)

Designation: ANST-13F, IEC-R20

Battery Voltage: 1.5 Volts

Average Weight: 81 grams (2.9 oz.)

Volume: 53 cubic centimeters (3.2 cubic inch)

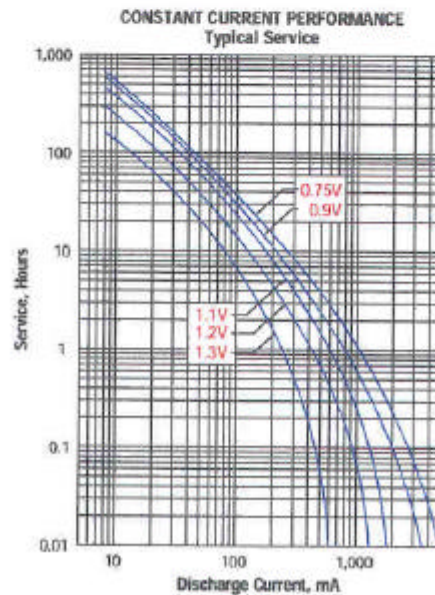
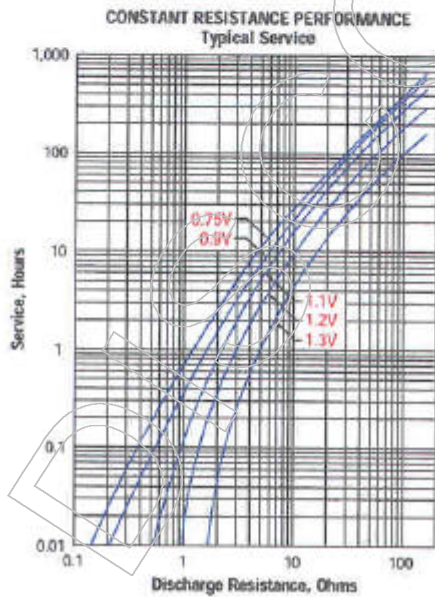
Average Service Capacity (to 0.8 Volt / cell): 4 Ah
 (Rated capacity at 25 mA continuous drain)

Cells: One No. 50 (size "D")

Jacket: Plastic Laminated Paper

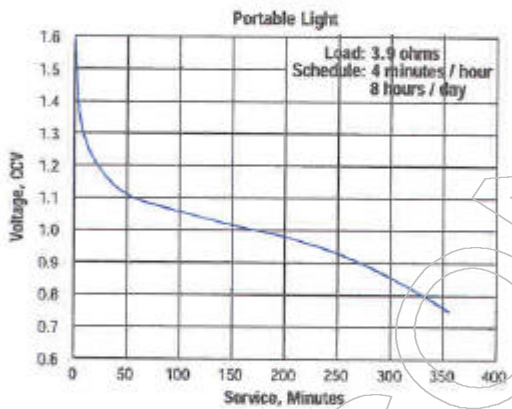
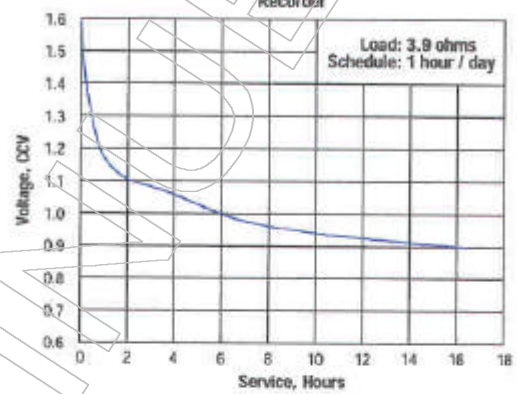
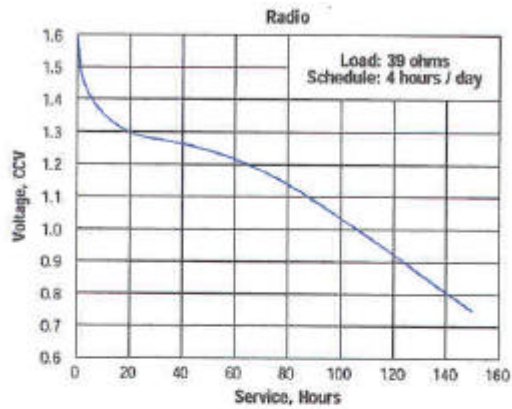
D
 Zinc Chloride 1.5V
 Classic
 No Added Mercury or Cadmium

Millimeters	Inches
.40	.016
1.00	.039
2.00	.079
6.40	.252
32.50	1.280
34.10	1.343
56.30	2.217
57.90	2.280
59.50	2.343
61.50	2.421



EVEREADY NO. 950

TYPICAL APPLICATIONS



IMPORTANT NOTICE

This data sheet contains information specific to batteries manufactured at time of its publication. Please contact your Energizer representative for most current information. Contents herein do not constitute a warranty.