

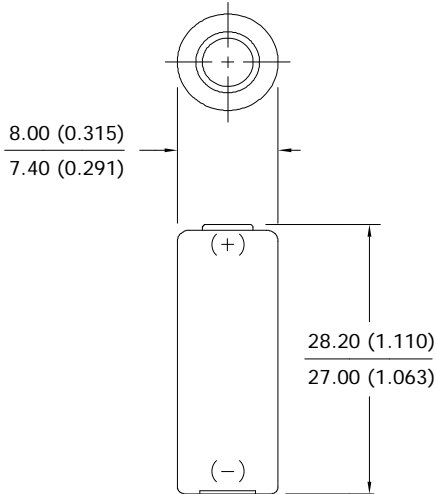
ENERGIZER A27

Miniature Alkaline



Industry Standard Dimensions

mm (inches)



Designed for electronic applications which may require high rate pulses

Specifications

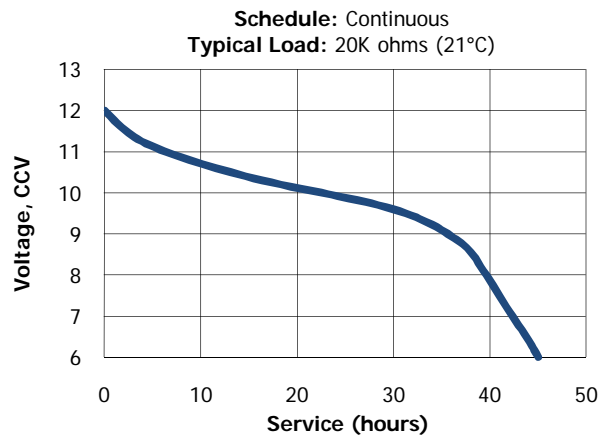
- Classification:** "Miniature Alkaline"
- Chemical System:** Manganese Dioxide (MnO₂)
- Designation:** N/A
- Nominal Voltage:** 12.0 volts
- Typical Capacity:** 22 mAh to 6.0 volts (rated at 20k ohms at 21°C)
- Typical Weight:** 4.4 grams (0.2 oz)

Typical Discharge Durations

at 21°C

Schedule (time)	Drain (mA)	Load (ohms)	Cutoff Voltage		
			8.8V (hours)	7.2V (hours)	6.0V (hours)
Continuous	0.36	20K	37	42	45

Discharge Characteristics



Important Notice

This datasheet contains typical information specific to products manufactured at the time of its publication.
©Energizer Holdings, Inc. - Contents herein do not constitute a warranty.