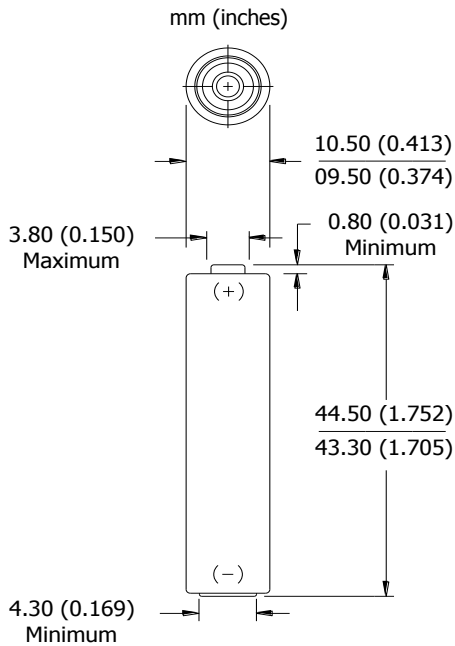


ENERGIZER A92

AAA



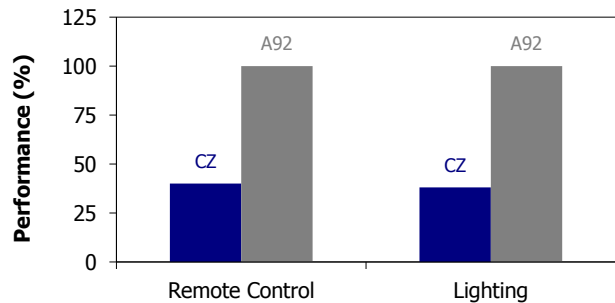
Industry Standard Dimensions



Classification:	Alkaline
Chemical System:	Zinc-Manganese Dioxide (Zn/MnO ₂) No added mercury or cadmium
Designation:	ANSI-24A, IEC-LR03
Nominal Voltage:	1.5 volts
Operating Temp:	-18°C to 55°C (0°F to 130°F)
Typical Weight:	11.5 grams (0.4 oz.)
Typical Volume:	3.8 cubic centimeters (0.2 cubic inch)
Jacket:	Plastic Label
Shelf Life:	10 years at 21°C
Terminal:	Flat Contact

Performance Comparison

A92 vs. Typical Carbon Zinc (AAA) at 21°C

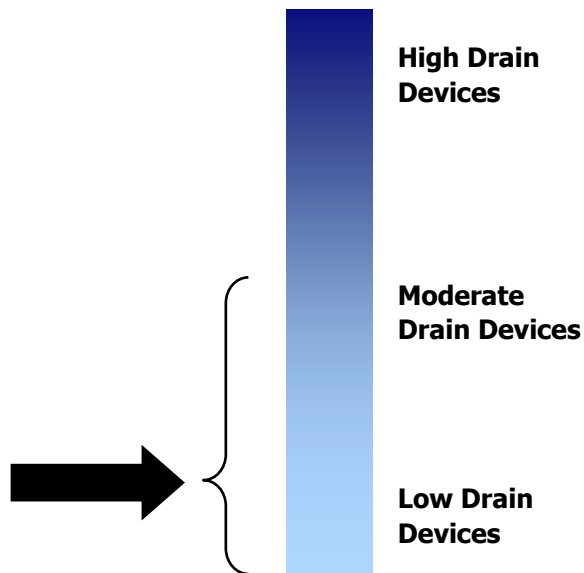


Industry Standard Testing Protocol

Device Selection Guide:

- Photoflash
- Games, Digital Audio
- Lighting
- Remote Control
- Radio

Battery Selection Indicator



Important Notice

This datasheet contains typical information specific to products manufactured at the time of its publication.
Contents herein do not constitute a warranty and are for reference only.