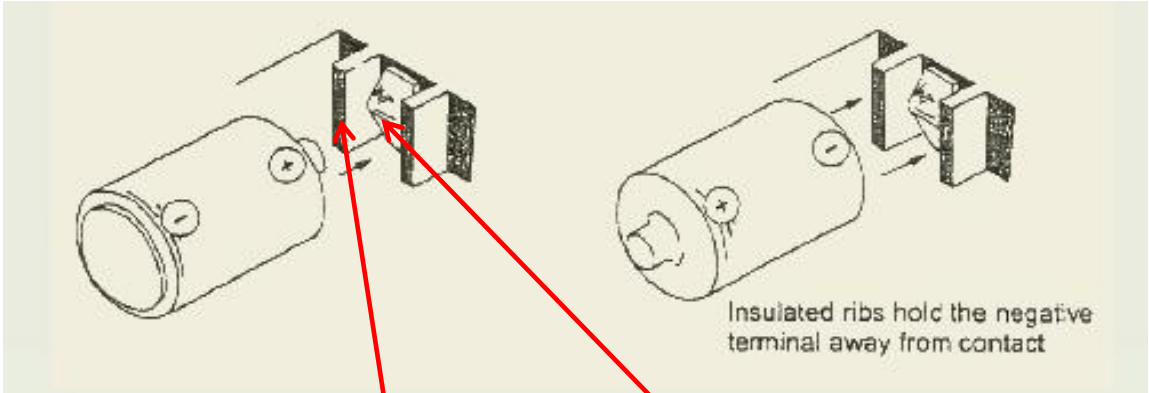


AA size battery holder reversal protection



The distance between the plastic rib and the battery contact needs to be **less than 1 mm**.

Industry Standard Dimensions

