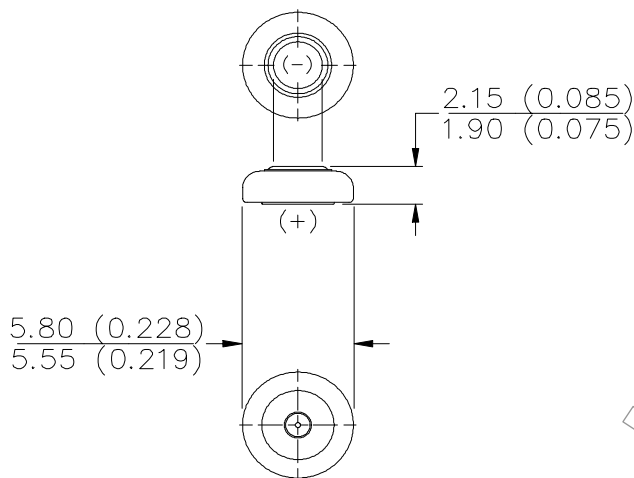


ENERGIZER NO. AC5



Industry Standard Dimensions in mm (inches)

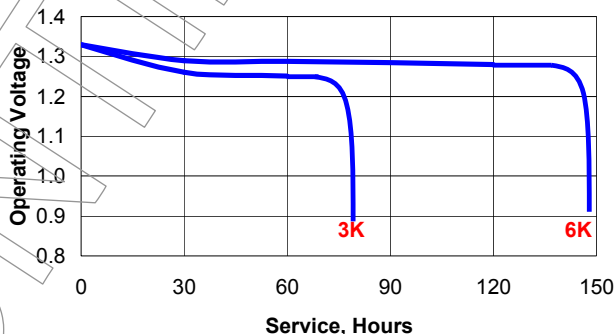


Chemical System: Zinc Air (ZnO₂)

Designation: ANSI - 7012D, IEC - PR63
Battery Voltage: 1.4 Volts
Average Weight: 0.2 grams (0.01 oz.)
Volume: 0.05 cubic centimeters (0.003 cubic inch)
Average Capacity: 33 mAh to 0.9 volts
 (Rated at 3k ohms at 21°C & 50% RH)
Cells: AC5

TYPICAL DISCHARGE CHARACTERISTICS

Schedule: 16 hours/day
Typical Drain @ 1.3V: 0.43 & 0.22 milliamperes
Load: 3K & 6K ohms



Simulated Application Test Estimated Average Service at 21°C (70°F) and 50% RH

Schedule:	Typical Drains at 1.3V (milliamperes)	Load (ohms)	Cutoff Voltage
			0.9V
16 hours/day	0.43	3,000	77 Hours
16 hours/day	0.22	6,000	149 Hours

IMPEDANCE: The typical impedance of these cells on open circuit and during useful discharge varies from 5-20 ohms. This applies over a frequency range of 40-5,000 hertz and at the current drain shown above.

Important Notice

This data sheet contains information specific to batteries manufactured at the time of its publication.

Contents herein do not constitute a warranty.

Copyright © Eveready Battery Co. Inc. - All Rights Reserved