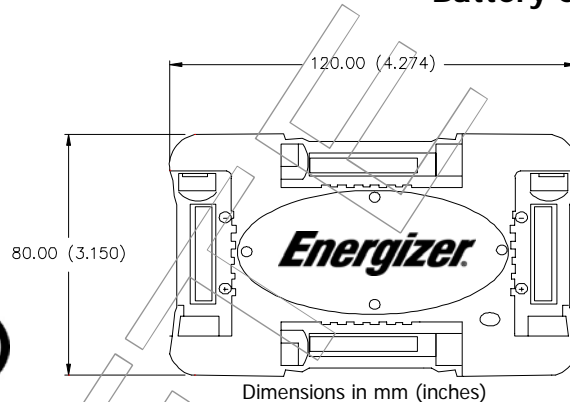


**ENERGIZER CH30MN**

**Battery Charger**



**CAUTION: Batteries may become hot to touch while charging.**

**Features:**

1. Charges one to four AA or AAA NiMH size batteries in approximately 30 minutes.
2. "Smart Charger" - Individually monitors cell condition and terminates charging current when charged.
3. Includes "Trickle Charge" - Low rate charge to retain charge level that would otherwise be lost due to self-discharge and storage.
4. Illuminated LED monitoring lights.
5. Ideal for high drain applications.
6. DC input 11-16V, 3A (AC Adapter included)

**Product Detail:**

Designation: Hi-Energy Battery Charger  
Color: Silver

Charge Capability: One to Four "AA" NiMH Batteries  
One to Four "AAA" NiMH Batteries  
AA - Up to 2100 mAh  
AAA - Up to 750 mAh

Charging Current: "AA" (1-4 cells) 4 Amps  
"AAA" (1-4 cells) 1.5 Amps

Trickle Charge: "AA" - 50 mA  
"AAA" - 50 mA

Charging Time: Approximately 30 minutes

Typical Weight: 140.8 grams (5.0 oz.) Without AC Adapter  
Dimensions (mm): 120.0 x 35.0 x 80.0

**Note:** This charger is not intended for use by young children or infirm persons without supervision. Young children should be supervised to ensure they do not play with the charger.

**Charging Instructions:**

This charger must **NOT** be used for Alkaline, Carbon Zinc, Lithium, NiCd or other kinds of batteries not specified on this charger. Do not charge batteries with different capacities. For best results, charge batteries before first use.

1. Plug the DC output plug of the adapter into the DC input jack of the charger.
2. Plug the adapter into a standard AC outlet and then the GREEN (POWER ON) LED should light.
3. Place 1-4 batteries into the battery compartment according to the polarity symbols (+ and -) marked inside each bay. **Note:** each channel has its own RED LED indicator that lights when the battery in that channel is charging. When charging is complete, the RED LED turns off. A flashing RED LED indicates a bad battery or channel.
4. When the RED LED indicator turns off, the battery in that channel is charged. When all batteries are charged, unplug the adapter from the outlet and remove batteries.

**Note:** Charger and batteries may be left plugged in to outlet to maintain charge. It is normal for the batteries to be warm while charging.

**Important Safety Instructions:**

1. To reduce risk of injury, only charge NiMH rechargeable batteries with charger.
2. Do not charge batteries with different capacities.
3. For indoor use only. Do not expose to rain, snow, or excessive moisture.
4. Never use an extension cord or any attachment not approved by Energizer.
5. Do not operate charger if it has been subjected to shock or damage. Take to qualified serviceman for repair.
6. Do not disassemble the charger.
7. Always unplug the charger from outlet before attempting maintenance or cleaning. Turning off controls will not reduce the risk of electrical shock.
8. Never alter the plug provided. Improper connection can result in a risk of electric shock.
9. Never use as a power source for electrical equipment.

**Important Notice**

This data sheet contains information specific to battery chargers manufactured at the time of its publication.  
©Energizer Holdings, Inc. - Contents herein do not constitute a warranty.